

LIGHT KIT INSTALLATION INSTRUCTIONS

For C.C Tempo(48V)

Caution: Please read through the instructions carefully. Before starting this project, remove the system's positive and negative connections from the battery or battery pack. This kit is designed for a 12V–48V operation only. Operating this kit at a higher voltage will void any and all warranties. Look behind each drill location **BEFORE YOU DRILL**. Installer is responsible for damage (i.e. drilling into a wiring harness, battery, fuel tank etc.). voltage reducer should buy separately.



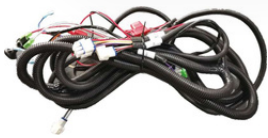
INCLUDED



① Headlight



② taillight



③ Bucket Harness



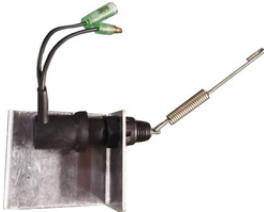
④ Standard turn signal



⑤ Deluxe turn signal assemblies



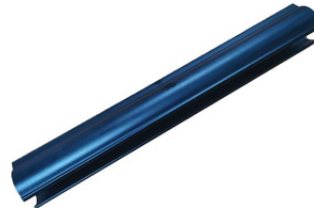
⑥ Brake pad switch with pedal amount



⑦ Mechanical brake



⑧ Horn



⑨ Steering wheel column

INCLUDED

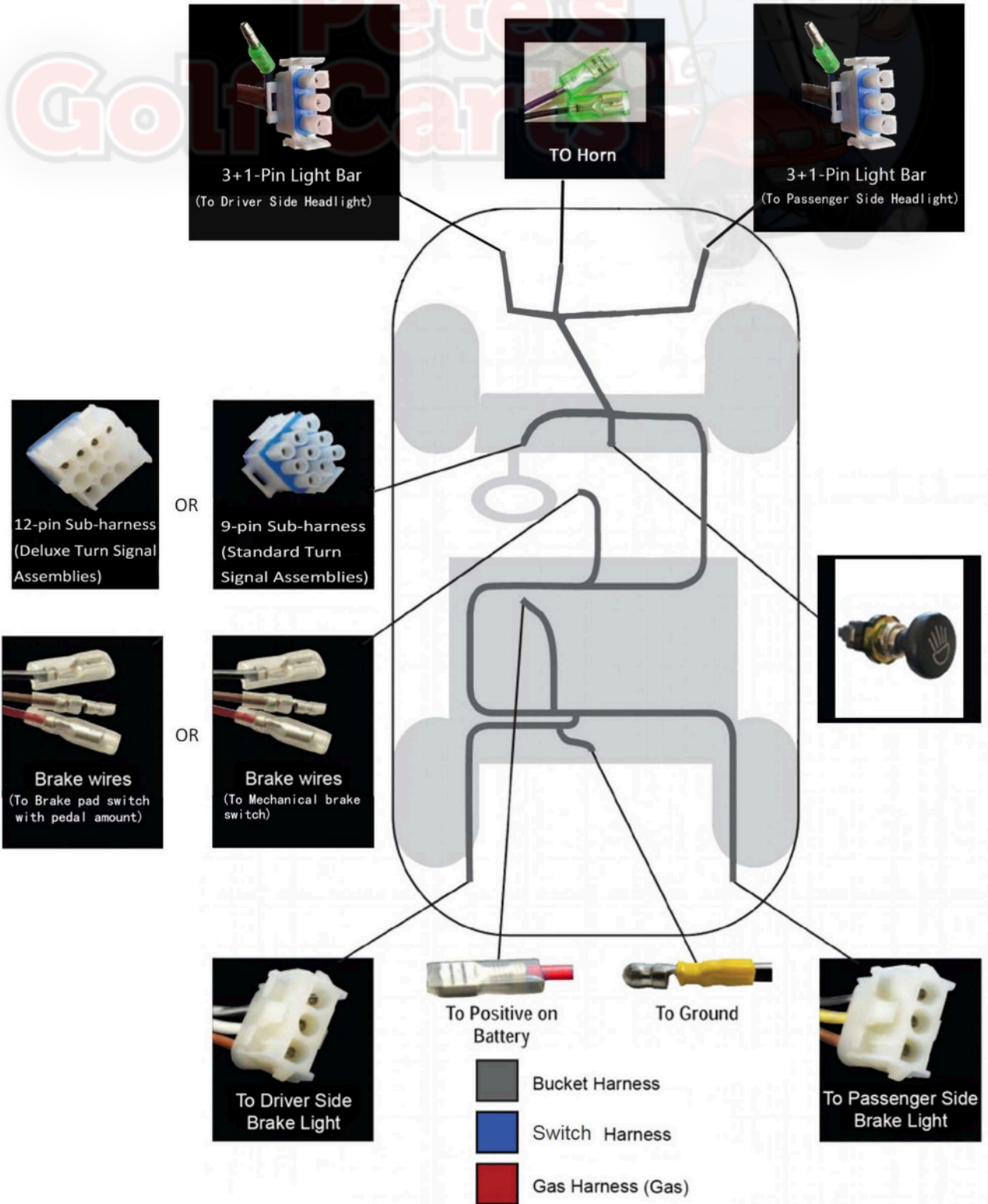
T15 Torx Socket
T30 Torx Socket
T40 Torx Socket
Rotary Cutting Tool
Sandpaper
Power Drill
15/32" Drill Bit
Screwdriver

Type	Included
Basic	①+②+③
Deluxe with mechanical brake switch	①+②+③+④+⑦+⑧+⑨
High low beam with brake pad switch	①+②+③+⑤+⑥+⑧+⑨
High low beam with mechanical brake switch	①+②+③+⑤+⑦+⑧+⑨

We recommend professional installation. If you choose to not have this product installed by a professional, we highly recommend that you exercise caution, care, and patience when installing this product.

Wire Harness Installation:

Wiring Harness Overview



STEP 1:

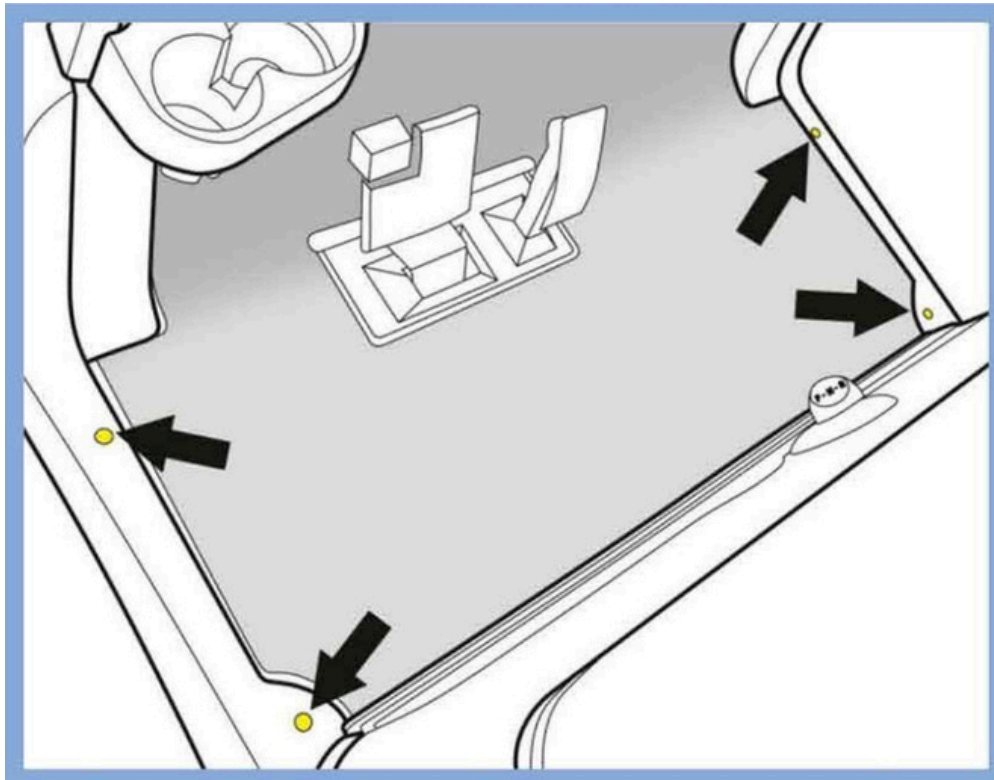
Switch key to OFF position. Place TOW/ RUN switch to TOW.
It is not required to remove the batteries but you do need to disconnect the main negative.



Tools Required: T40 Torx Socket

STEP 2:

Remove all screws securing floor mat to the vehicle. Retain hardware.
Remove floor mat.





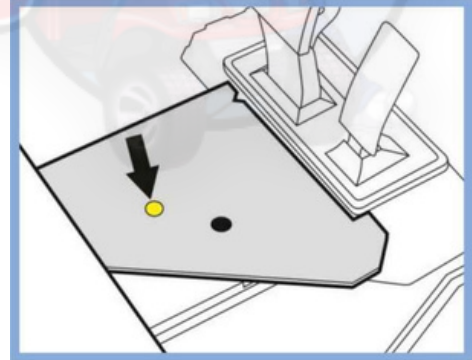
T30 Torx Socket



STEP 3:

Remove and retain the front body screws shown.

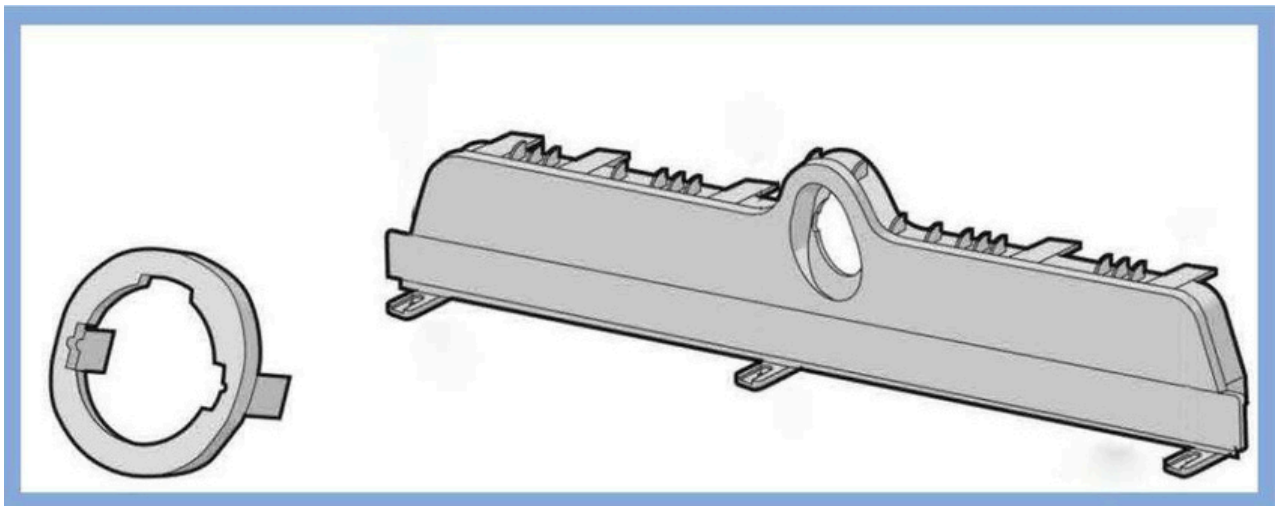
Remove the Pedal Assembly access panel.



Small Flat Head Screwdriver

STEP 4:

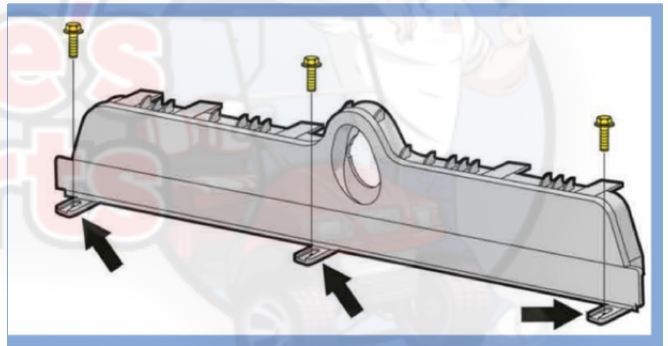
Use the two indentations on each side of the receptacle cover shown to free from charge port and retain the Pedal Assembly access panel.



T40 Torx Socket

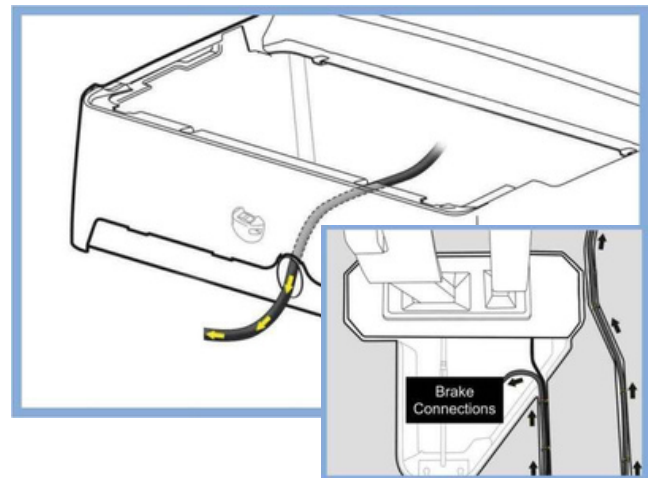
STEP 5:

Remove the screws securing the lower kick panel trim to the body. Temporarily remove trim and retain all.



STEP 6:

From the battery compartment, feed the front of the harness to the dash as shown. Lay harness loom in the Middle floor channel noted in picture. Route the Brake Light connectors through the center floor channel that leads to the brake compartment.

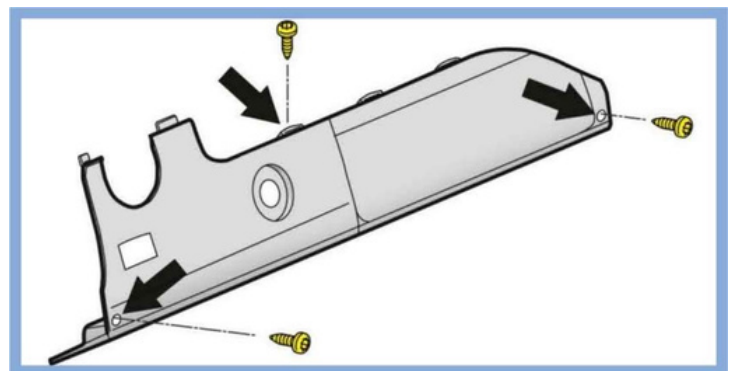


T15 & T30 Torx Socket



STEP 7:

Remove and retain the instrument panel screws shown.

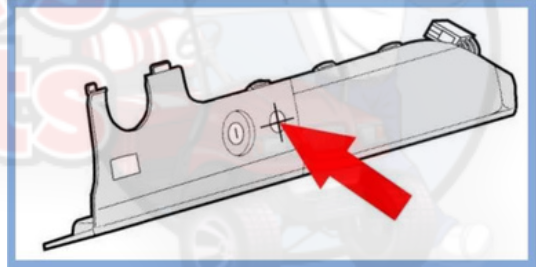


Pull Push switch Or Hazard Switch Install

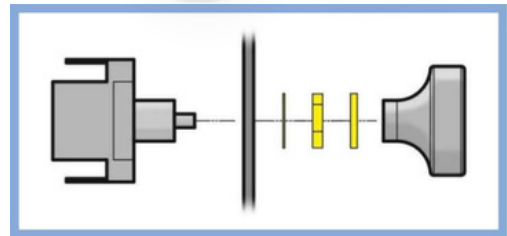
 15/32" Drill Bit

STEP 8:

Choose one of the factory marked indentations on either the left or right of the key switch as shown. Or find a desired location on your IP to mount the hazard switch. Ensure the location is free of obstacles and will not affect dash reattachment.



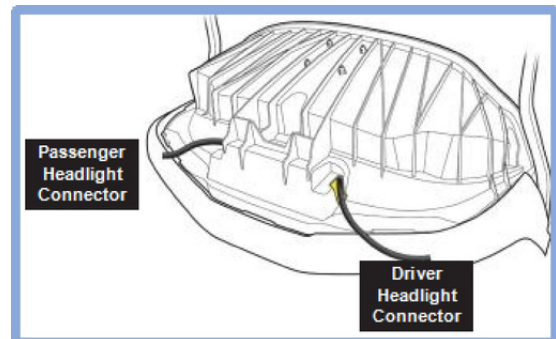
Using a 15/32" bit, drill a mounting hole and insert switch into dash. Secure with the ring nut from back of switch.



Note: Attach red & blue wires. There is no orientation for wire connections.

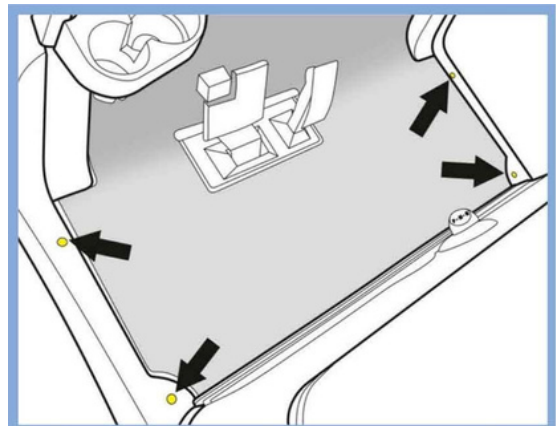
STEP 9:

Route the two headlight connectors and purple/black horn wires through the opening behind instrument panel to the front.



STEP 10:

Safely tuck remaining harness & 9 pin or 12 pin connector into dash area and reattach the instrument panel. You can also reattach lower kick Panel, Pedal cover, Charge port bezel, and floor mats using retained hardware.



HEAD LIGHT INSTALL



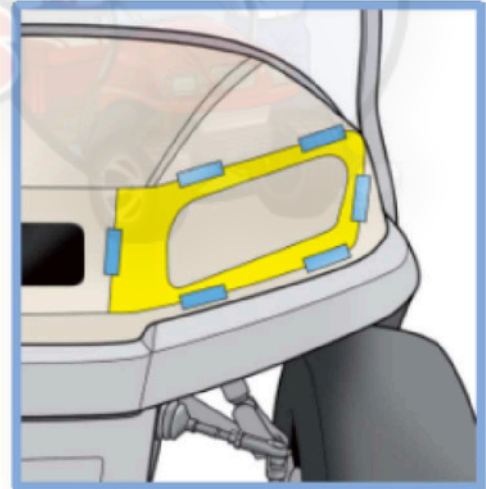
Scissors, Marker, Rotary Cutting Tool

STEP 11(1):

Cut out center of the supplied template.

Align template to cowl using the reference points on template and trace light cut out with marker. Cut out head light hole using the **inside** of the marked line as a guide.

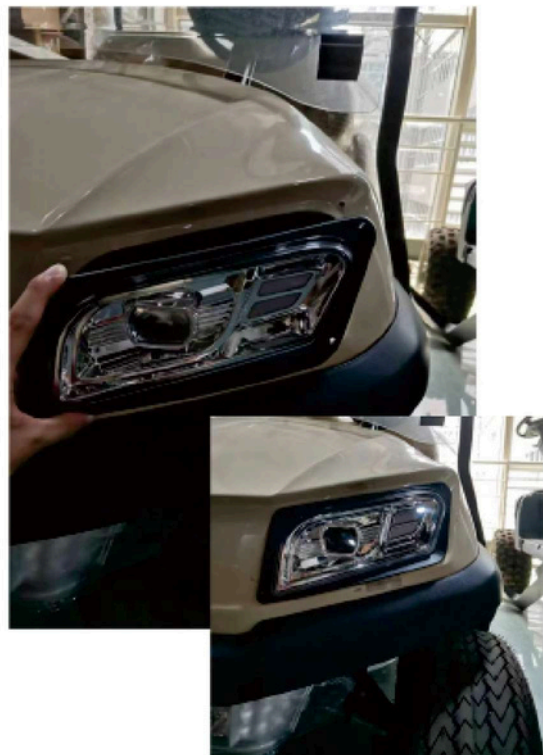
Some trimming may be necessary to fit light. Use sandpaper to smooth any rough edges.



STEP 12(1):

After checking if the head light fits properly, connect the head lights to the harness.

Insert the headlight assemblies into the holes cut out earlier. Once in place, secure with the (8) Included Screws.



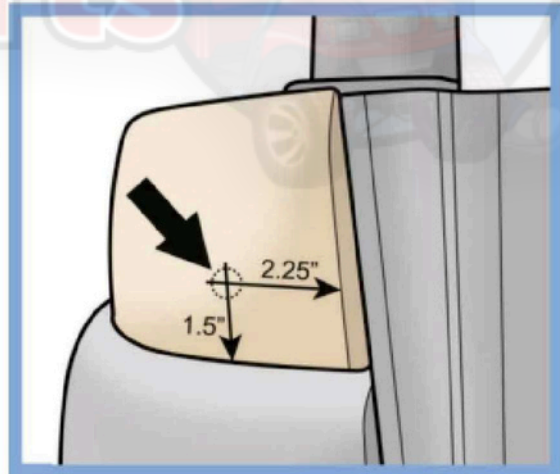
REAR TAIL LIGHT INSTALL



Tape Measure, Marker, 1-1/8" Whole Saw

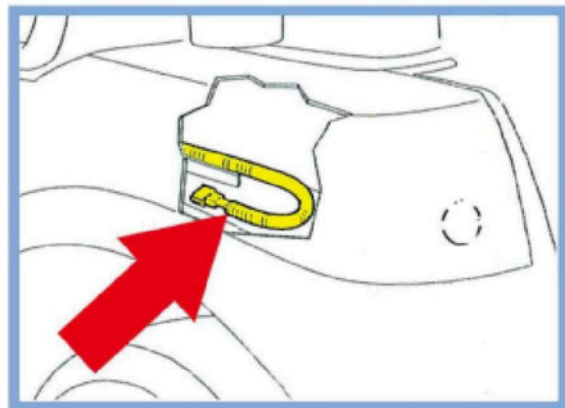
STEP 11(2):

Mark the center of the taillight hole using the drawing below, then using a 1-1/8 inch hole saw, drill a hole in the location as shown in drawing. Sand hole to remove sharp edges.



STEP 12(2):

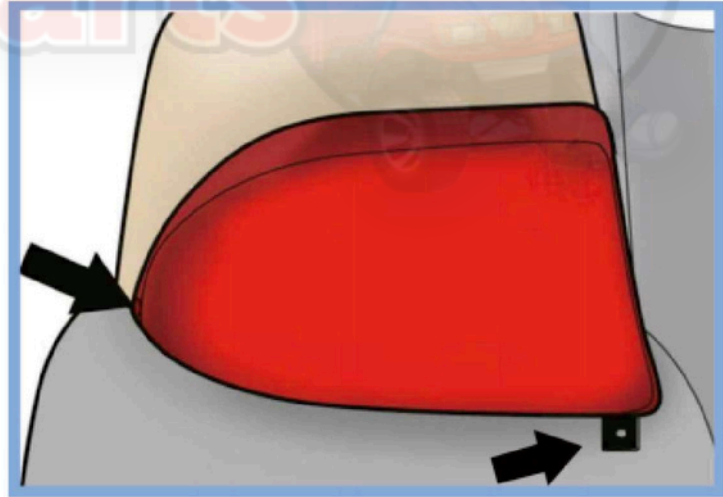
Route tail light wires through upper rear corners of Battery Compartment ensuring that tail light connector with White connector goes to the passenger side. Using a wire snake, pull the tail light connector through the hole in the rear body.





#2 Phillips Tip

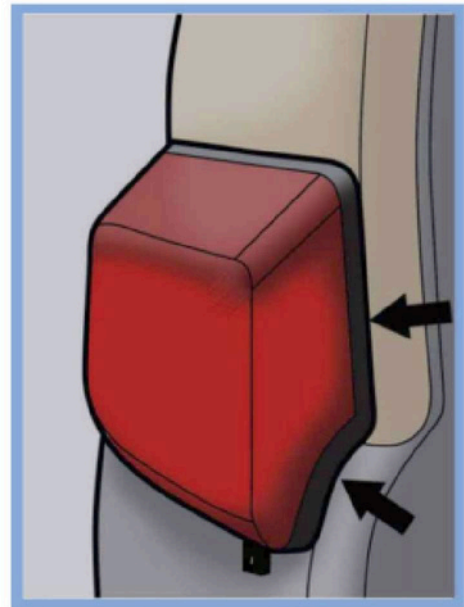
Pete's
Golf Carts



STEP 13:

Connect the tail lights to the vehicle tail light wiring harness. Remove the double sided tape from the back of the tail light and mount to the rear body using screws provided.

*Repeat process on opposite side.



BATTERY CONNECTIONS

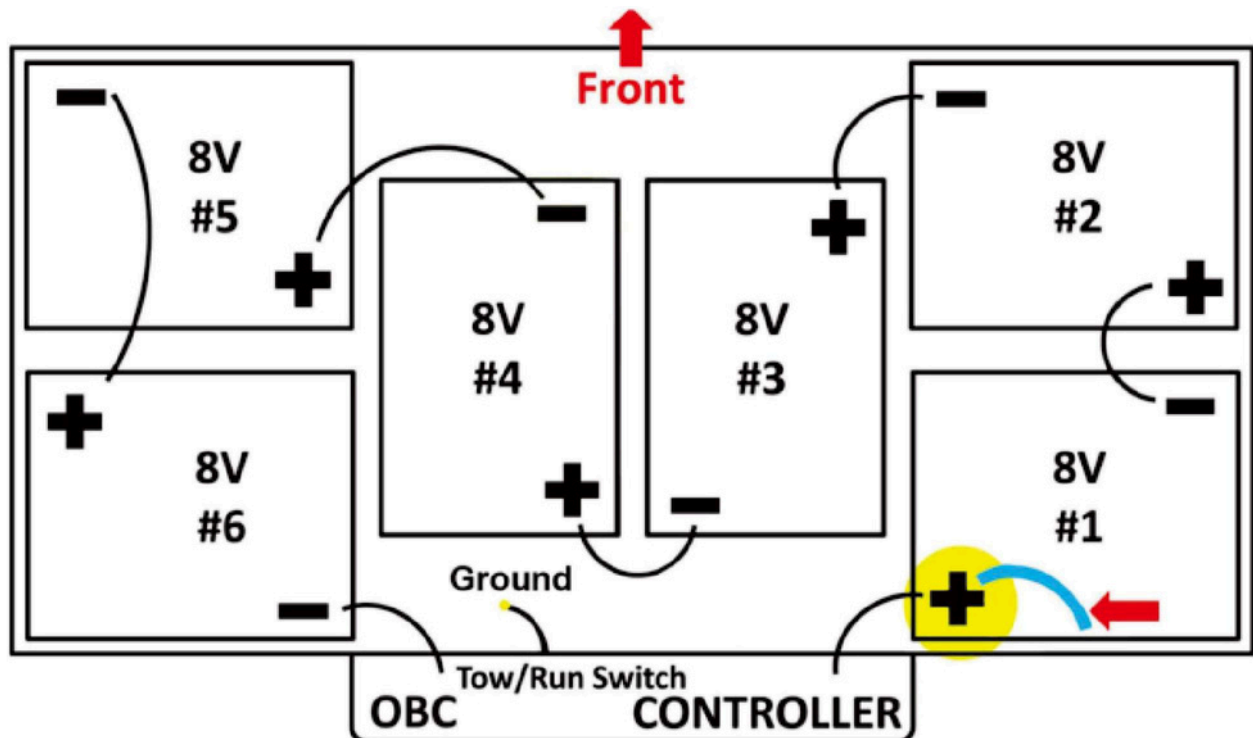
Electric Carts 2008.5+ with 8V Batteries

1. Connect the blue positive lead from the bucket harness to the blue pigtail coming off the Positive(+) post on battery (select any battery in series within 12v-48v).

Note: If the factory cables have been replaced, connect the positive lead directly to the positive post on battery with a ring terminal.

2. Connect the ground (yellow male bullet connector) on the bucket harness to the ground behind battery #4..

Club Car Tempo Electric with 8 Volt Batteries

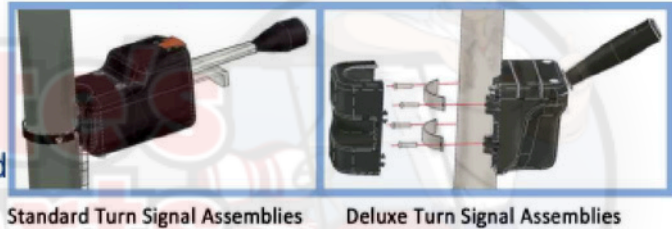


FRONT OF CART

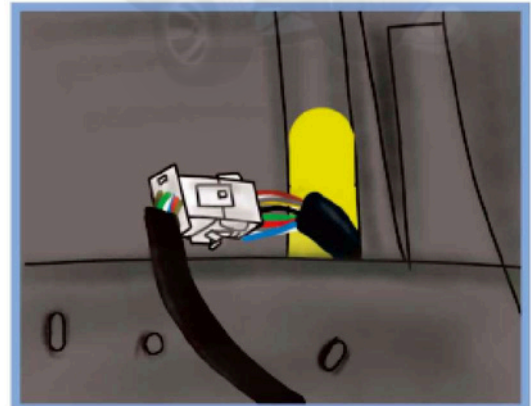
YOU SHOULD FOLLOW BELOW INSTRUCTIONS WHEN YOU PURCHASED THE DELUXE VERSION
UPGRADE KIT INSTALL FOR C.C Tempo(12-48V)

Turn Signal Assemblies

1. Mount the turn signal assembly in a convenient location on the steering column using the included hose clamp.

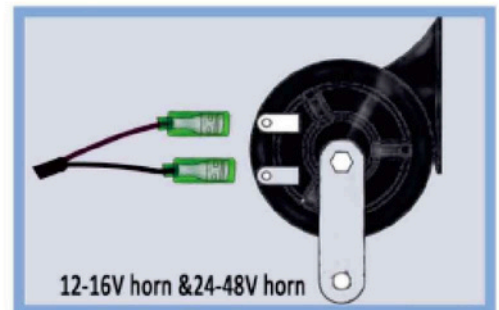


2. Standard Turn Signal Assemblies: Connect the 9-pin connector on the turn signal switch to the 9-pin connector on the deluxe harness. Connect the flasher relay to the Standard turn signal switch harness. Deluxe Turn Signal Assemblies: Connect the 12-pin connector on the turn signal switch to the 12-pin connector on the super deluxe harness. Secure the excess wires in the dash compartment.

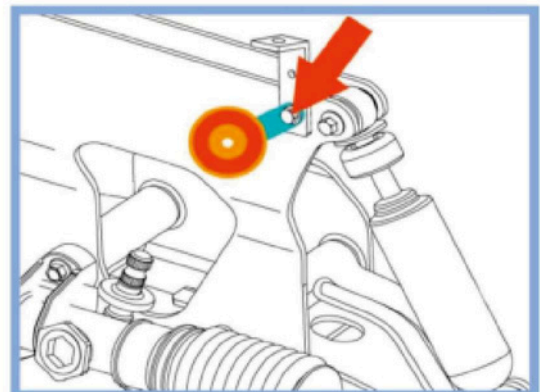


Horns

1. Connect the spade connector on the harness to the horn. You can connect the leads to either terminal. If you choose 12-16v power output, 12-16V horn is recommended, if you choose 24-48V power output, 24-48v horn is recommended.

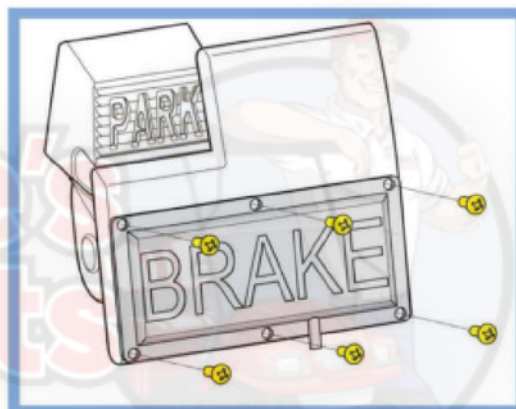


2. Mount the horn to the chassis using the Bolt next to the driver side upper shock mount. The horn should face away from the cart and its passengers.

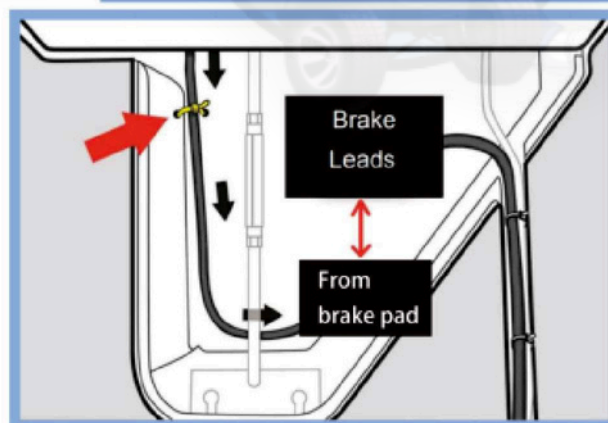


Brake Pad switch

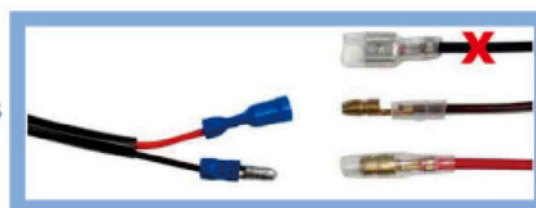
Universal brake light pad switch Place the brake pad on the metal brake Pedal and fix it with 6 screws to ensure that the mounting is in right place without falling off.



Connect the brake pad lead to the brake leads from the bucket harness. Use cable ties to secure loose wires away from any moving parts Brake switch without time delay: The wiring method is the same



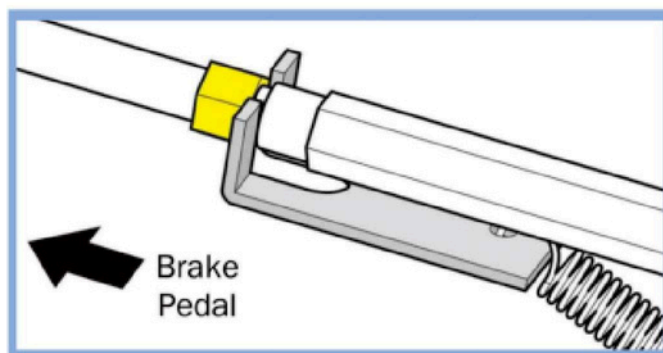
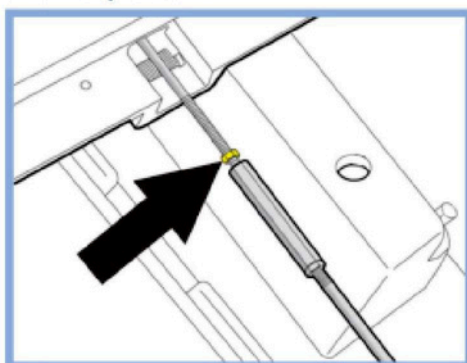
NOTE: Black ground wire is not used with the brake pad. The ground wire is only used with the time delay.



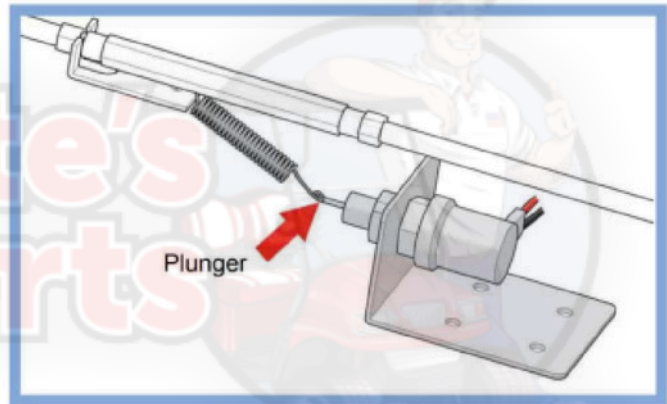
Reinstall pedal group access panel, floor mat, lower body trim and receptacle cover using the Original Hardware.

Mechanical Brake switch with Timer Relay

1. Loosen front most nut on the brake rod. slide the brake switch clip upward, between the nut and rod. Tighten the nut. Disengage the brake pedal.



2. Mount the brake switch towards the rear of the pedal compartment with the included Self-Tapping Screws. Position the switch so the spring is tight but not pulling the plunger (red arrow). The plunger



should move to activate the switch when the brake pedal is engaged. Unscrew the rear portion of the switch if needed for clearance Run the brake switch wires under the brake rod.

INSTALLATION COMPLETE