

LIGHT KIT INSTALLATION INSTRUCTIONS

For TXT (48V)

Caution:

If you choose to not have this product installed by a professional, we highly recommend that you exercise caution, care, and patience when installing this product as it involves drilling holes into your cart's body.

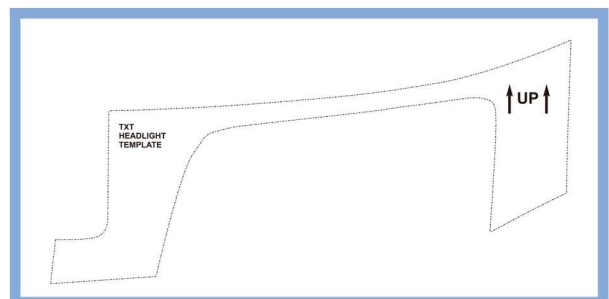
Please read through the instructions carefully. Before starting this project, remove the system's positive and negative connections from the battery or battery pack. This kit is designed for a 12V-48V operation only. Look behind each drill location **BEFORE YOU DRILL**. Installer is responsible for damage (i.e. drilling into a wiring harness, battery, fuel tank etc.).



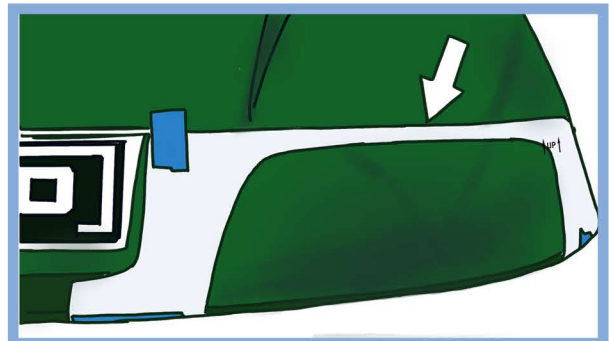
Headlight and Taillight Preparation

Headlight Preparation

1. Cut out the included headlight template following the guidelines.

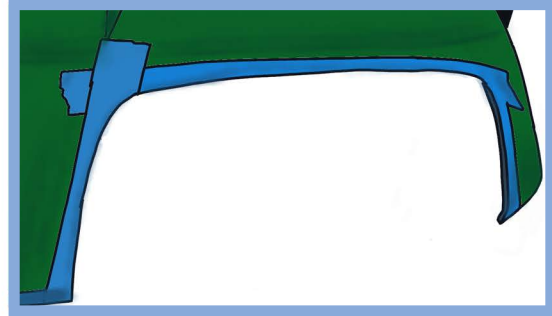


2. Using painter's tape, tape the template to the driver side front body of the cart. The dotted lines on the template will line up with the body lines of the cart.



3. Use a marker or other marking device to trace the inside contour of the template.

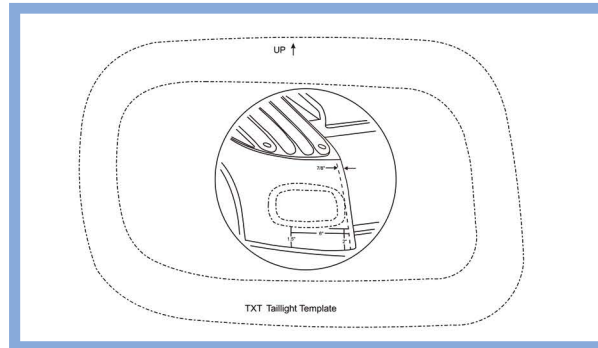
4. Using a jigsaw or rotary tool, cut the inside of the marked area. Test fit the headlight. If needed, make any modifications and retest. Once it is fitted properly, remove the tape and sand any rough edges.



5. Flip the template over and complete Steps 2-4 for the passenger side.

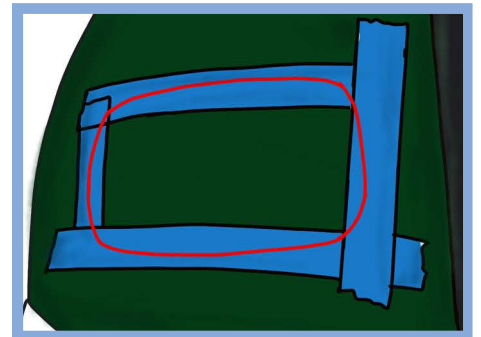
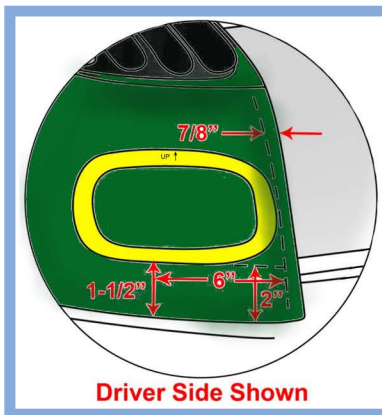
Taillight Preparation

1. Cut out the included taillight template following the guidelines.

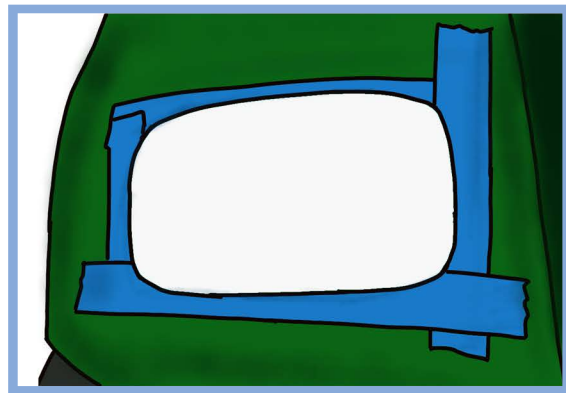


2. Using painter's tape, tape the template to the driver side rear body of the cart. Follow the guidelines to placement of the template.

3. Use a marker or other marking device to trace the inside contour of the template.



4. Using a jigsaw or rotary tool, cut out the inside of the marked area. Test fit the taillight. If needed, make any modifications and retest. Once it is fitted properly, remove the tape and sand any rough edges.



5. Flip the template over and complete Steps 2-4 for the passenger side.

Wire Harness Installation

1. Completely remove the front seat bottom assembly.

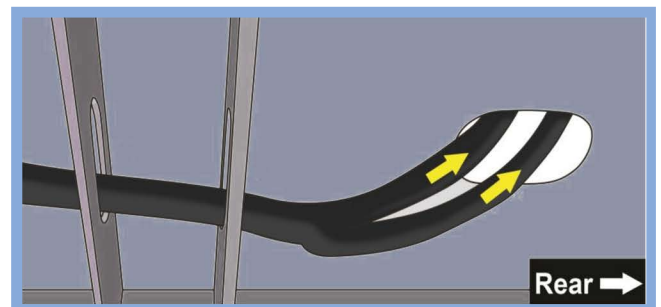
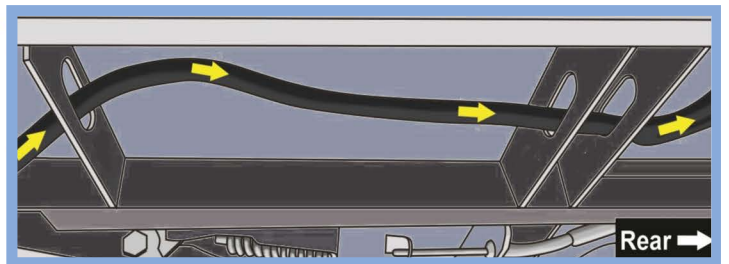
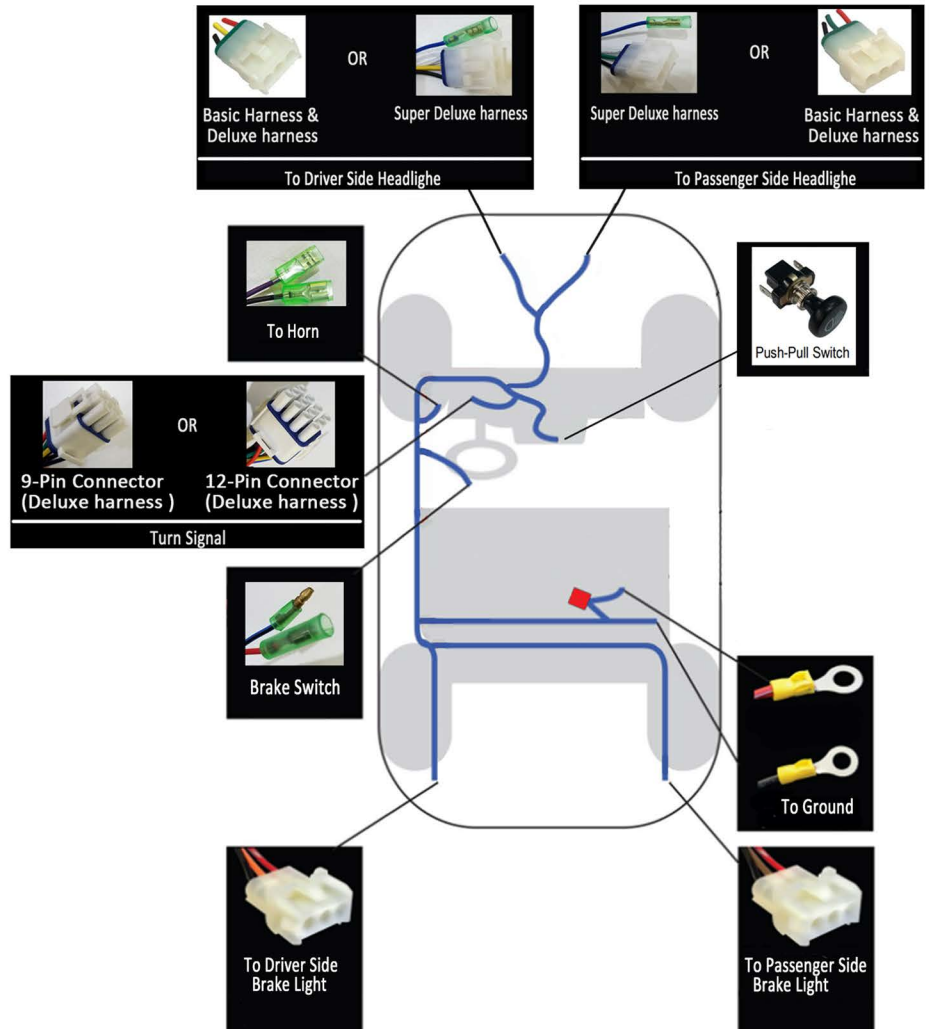
2. Lay the harness parallel to the driver side of the cart to help with orientation of the harness before installation.

3. Disconnect the fuse holders from each other .

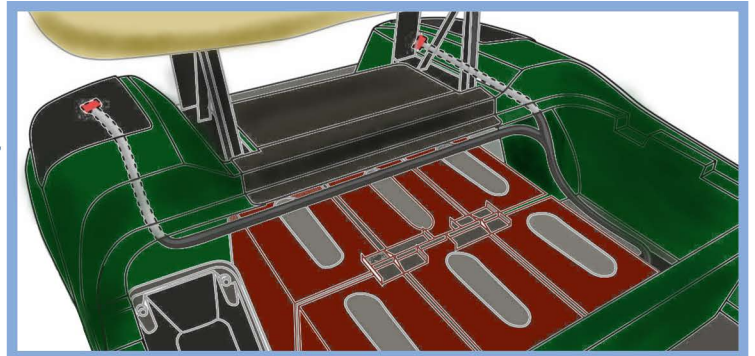
4. From underneath the driver side of the cart, gently run the rear portion of the harness (taillight & battery connections) through the (3) openings in the frame, starting at the front and working towards the rear.

5. Route the taillight and battery connections through the access hole that leads to the battery compartment. Set the battery leads to the side. They will be connected after completing the installation of the harness, lights and/or accessories.

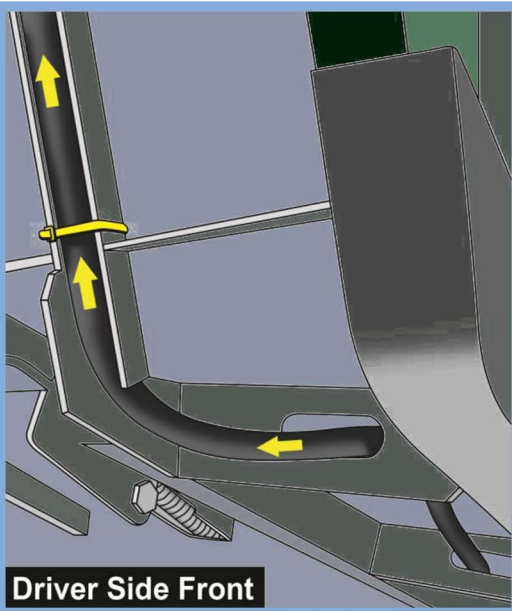
Wire Harness Overview



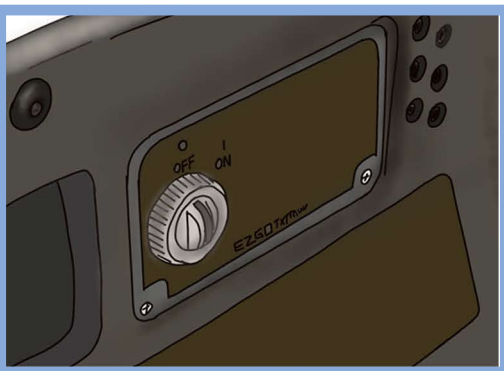
6.Route the taillight leads to the holes that were cut out for the taillights. The shorter lead will go over the driver side inner fender. The longer lead will go behind the battery pack and over the passenger fender.



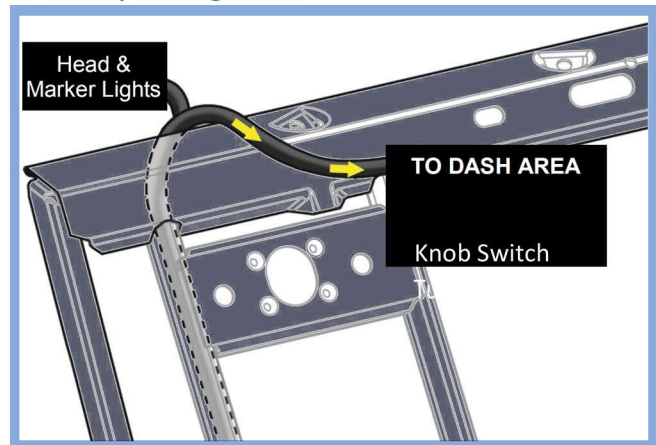
7.Route the front portion of the harness through the vertical channel on the driver side. Secure with cable ties.



9. Remove the two rivets on the key switchplate and remove the plate to access the dash compartment.



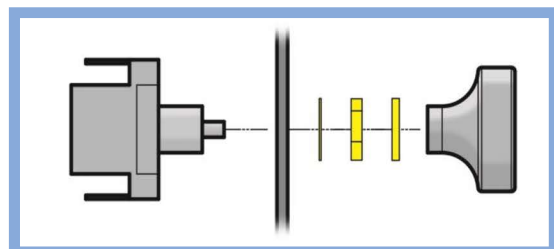
8.Route the knob switch, and turn signal lead through the top of the front splash guard into the dash area. The headlight leads will remain in front of the splash guard.



10.If powering the lights with the push-pull switch, disconnect the key switch. Using a vice or clamp to secure the plate, safely drill a 1/2" hole on the key switch plate. File any rough edges.

11.Remove the knob, retaining nuts and washer from the push-pull switch and insert the shaft of the switch into the newly drilled hole.

12.Secure using the lock washer and retaining nuts. Reattach knob.



13.Reinstall the dash panel.

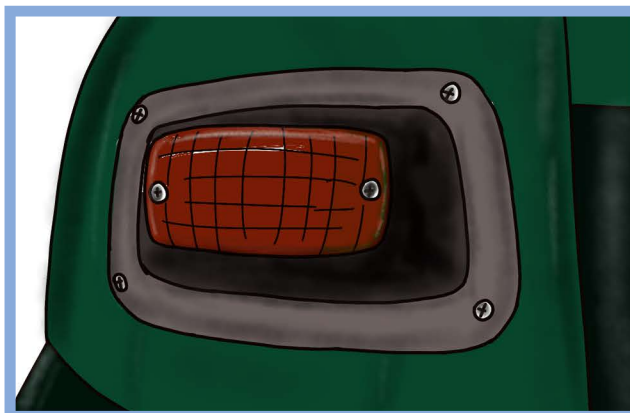
14.Connect the headlights to the headlight leads on the main harness.

15.Insert the headlight assemblies into the holes cut out earlier. Once in place, secure with the (6) Included Screws.



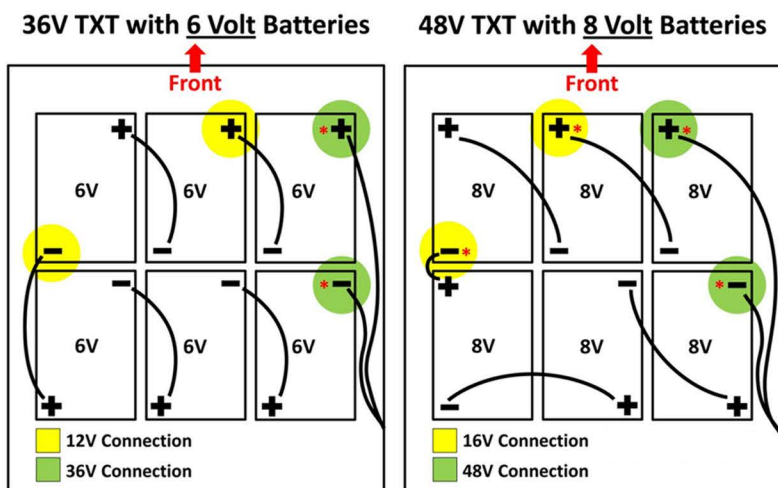
16.Connect the taillights to the taillight leads on the main harness.

17.Insert the taillight assemblies into the holes cut out earlier. Once in place,Secure with the (8) Included Screws.



Power Connections

On a 36V or 48V system, select any battery in series within 12v-48v, and connect the positive and negative wires of the harness to the positive and negative terminals of the battery.

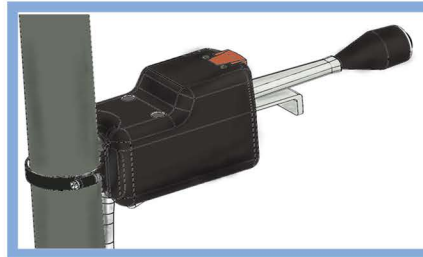


Put the cart in the RUN position (if equipped) and turn the key ON. Turn the lights ON and test the lights and accessories to make sure they function properly.

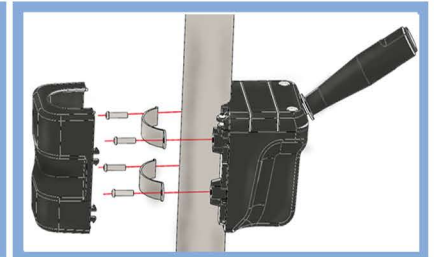
UPGRADE KIT INSTALL FOR EZGO TXT(12-48V)

Turn Signal Assemblies

1. Mount the turn signal assembly in a convenient location on the steering column using the included clamp.

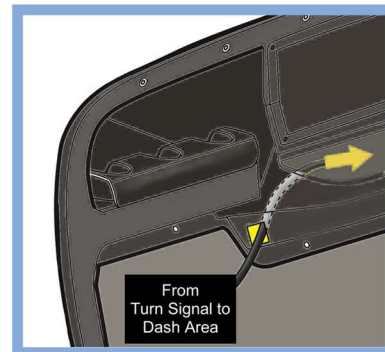


Standard Turn Signal Assemblies



Deluxe Turn Signal Assemblies

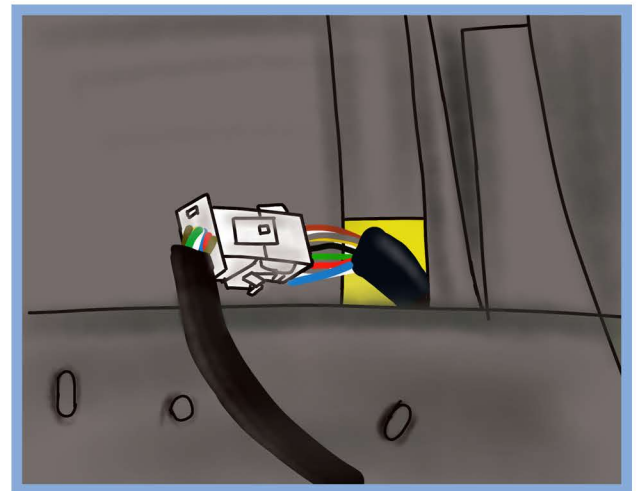
2. Using a rotary tool, cut an access hole into the dash compartment large enough to fit the turn signal connectors. Run the turn signal wires down the steering column, through the access hole and into the dash area.



3. Standard Turn Signal Assemblies: Connect the 9-pin connector on the turn signal switch to the 9-pin connector on the deluxe harness. Connect the flasher relay to the Standard turn signal switch harness.

Deluxe Turn Signal Assemblies: Connect the 12-pin connector on the turn signal switch to the 12-pin connector on the super deluxe harness.

Secure the excess wires in the dash compartment.

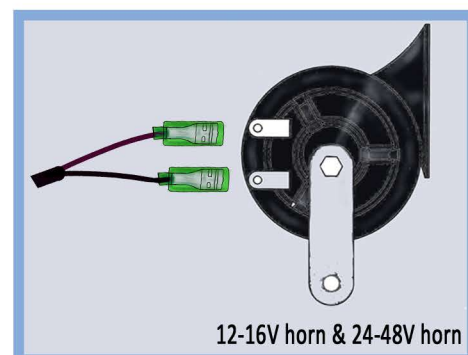


4. Snap the cover around the wires of the turn signal switch and the steering column.

Horns

1. Connect the spade connector on the harness to the horn. You can connect the leads to either terminal.

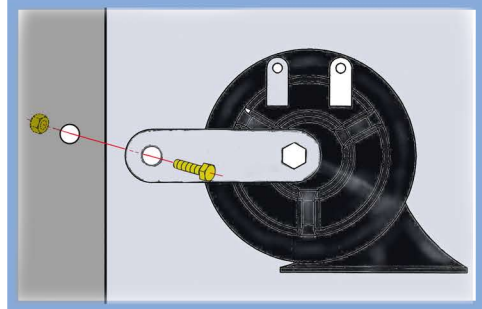
If you choose 12-16v power output, 12-16V horn is recommended, if you choose 24-48V power output, 24-48v horn is recommended.



2. Mount the horn under the driver side front end of the vehicle in a location that does not interfere with the steering or front tires using the Included Hardware. Use the pre-drilled hole or drill a 1/4" hole in a safe location on the golf cart frame.

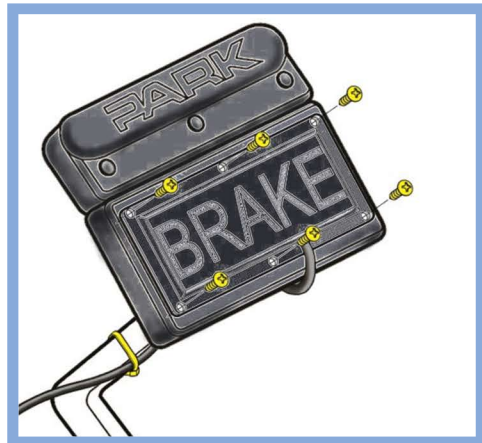
Install the horn on the new opening with the supplied spare parts.

3. Secure any loose wires with cable ties.

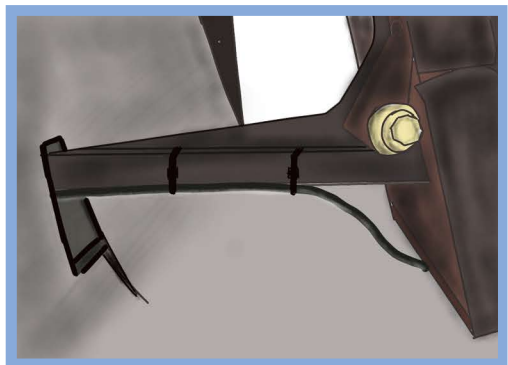


Universal brake light pad switch

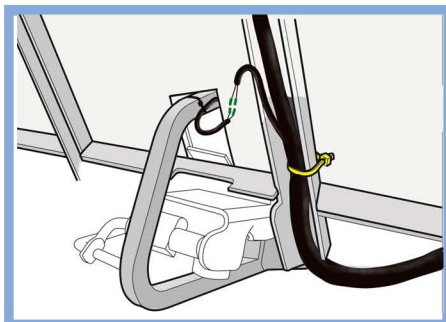
Place the brake pad on the metal brake pedal and fix it with 4 screws to ensure that the mounting is in right place without falling off.



1. Run the brake pad wire under the brake pedal, under the brake assembly and through the opening in the floor. Secure the brake pad wire to the bottom side of the assembly using cable ties.



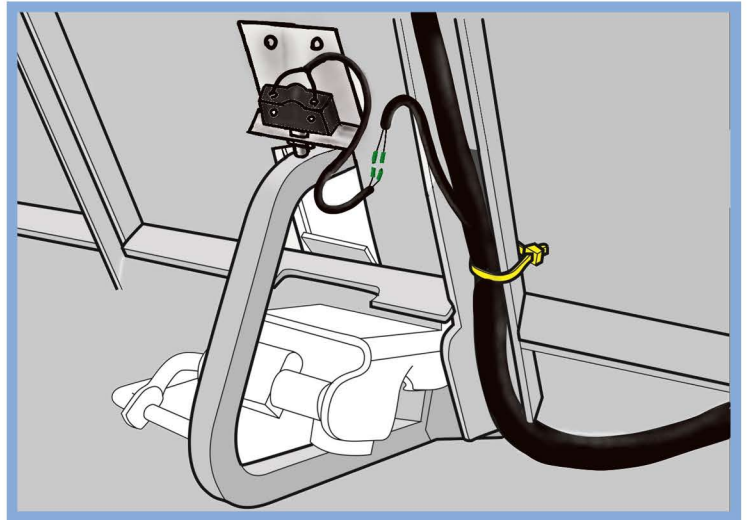
2. Connect the brake pad to the deluxe wire harness. Use a cable tie to secure the wires to the existing wire harness in the channel. Make sure the wires are clear of any moving part.



Brake Switch with Time Delay

1. Position the bracket so the switch is centered above the pedal assembly. Lower it until the switch is activated (it will click) and mark for the drilling of the two holes. Drill two holes and attach the bracket to the floorboards with the two nuts and bolts and washers included.

2. After the adjustments have been made, wire tie the harness near the arm of the brake pedal.



3. Stick the time delay device at a proper position under the brake.

