

SGC



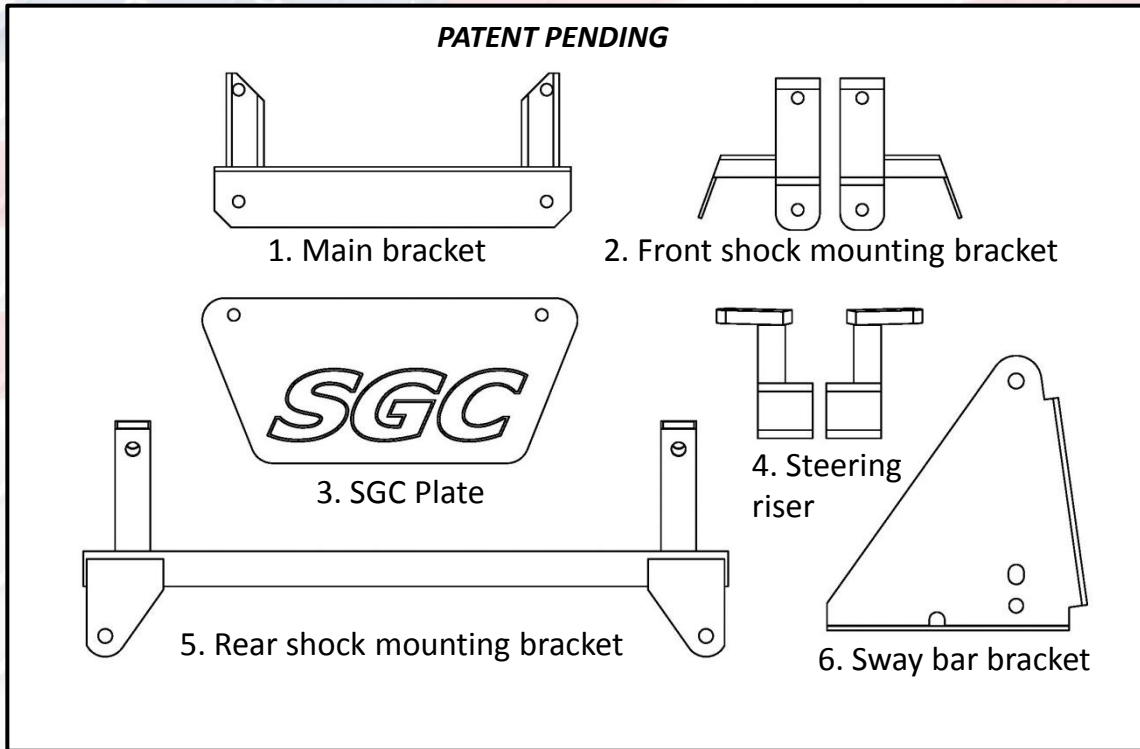
SGC

BLOCK LIFT KIT

FITS YAMAHA G29

LIFT KIT INSTALLATION INSTRUCTIONS YAMAHA G29

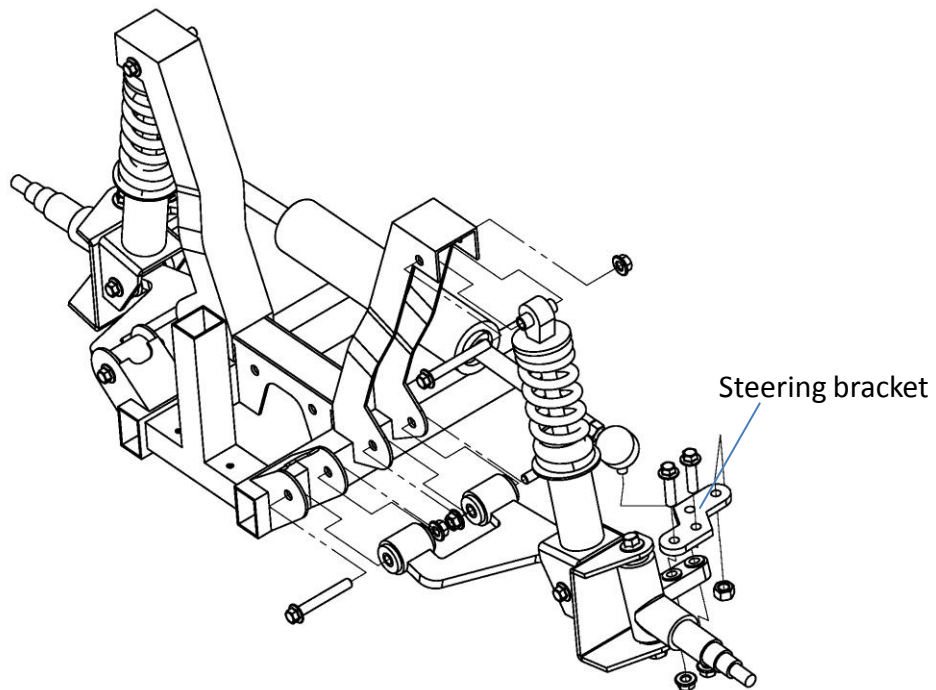
Check List



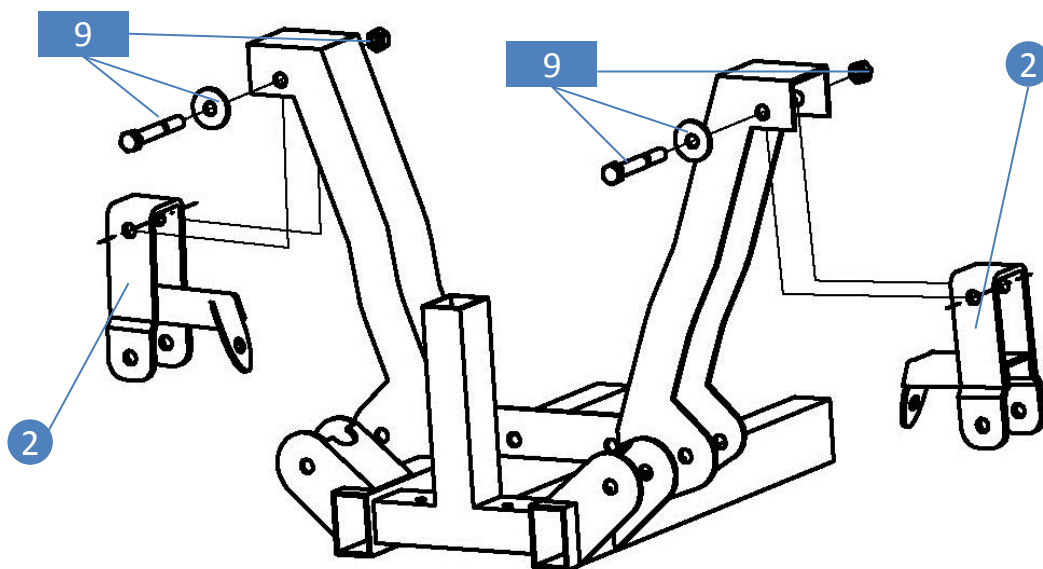
Used place	SEQ	Name	Specification	Qty
main bracket	7	Hex Bolt	3/8-16*3	4
		Flat washer	3/8	8
		Lock Nut	3/8	4
stock shock to shock mounting bracket	8	Hex Bolt	3/8-16*2 3/4	2
		Flat washer	3/8	4
		Lock Nut	3/8	2
front shock mounting bracket	9	Hex Bolt	3/8-16*1	2
		Flat washer	3/8	4
		Lock Nut	3/8	2
a-arm	10	Hex Bolt	3/8-16*3 1/4	4
		Flat washer	3/8	8
		Lock Nut	3/8	4
steering riser	11	Hex Bolt	3/8-16*3 1/2	4
		Flat washer	3/8	8
		Lock Nut	3/8	4
Rear Suspension Shock mounting bracket	12	Hex Bolt	M10-60	2
		Flat washer	M10	4
		Lock Nut	M10	2
Swaybar Bracket	13	Hex Bolt	M12-25	1
		Lock Nut	M12	1
Sway Bar Bracket	14	Hex Bolt	M10-90	1
		Flat washer	M10	2
		Lock Nut	M10	1
	15	Drill Bit	11	1

Reserve the right to change the parameters without prior notice.

LIFT KIT INSTALLATION INSTRUCTIONS YAMAHA G29

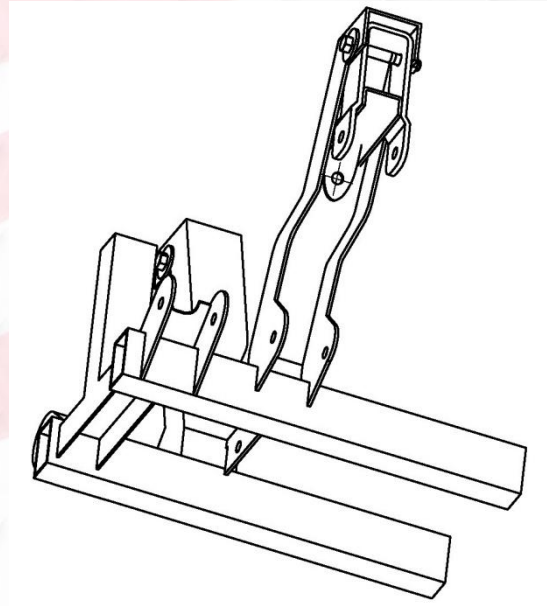
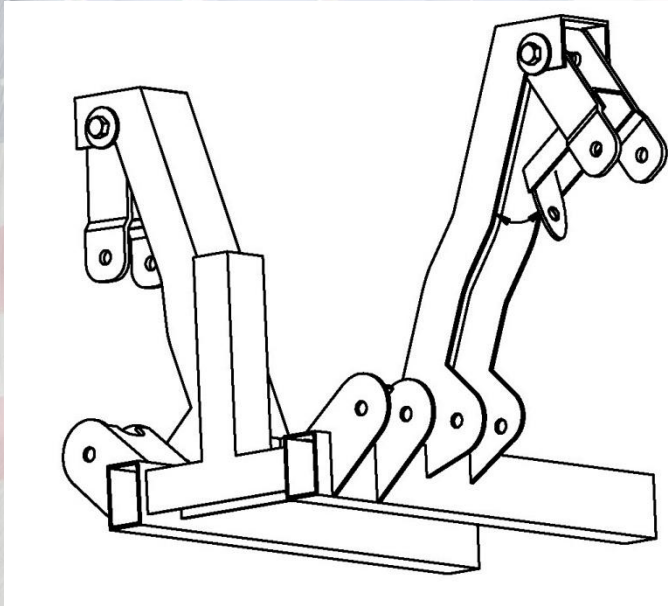


1. Remove front wheels and hubs. Then disconnect tie rod end from spindles, shock from cart frame, a-arm from cart frame. Try to take off spindle, knuckle bracket and a-arm as a whole assembly. Discard steering bracket.

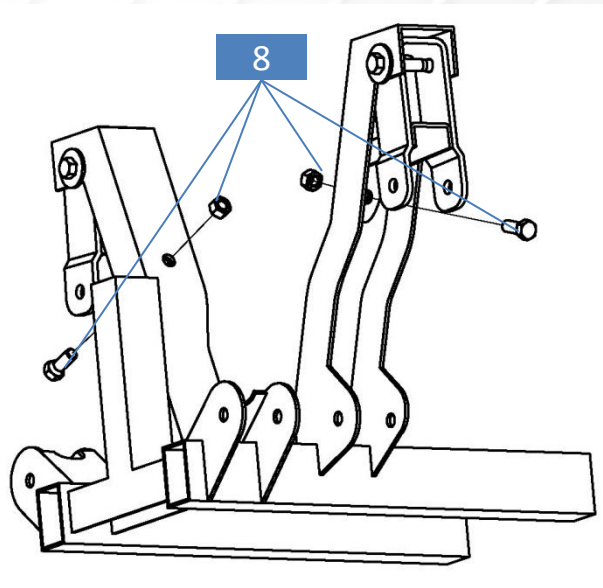
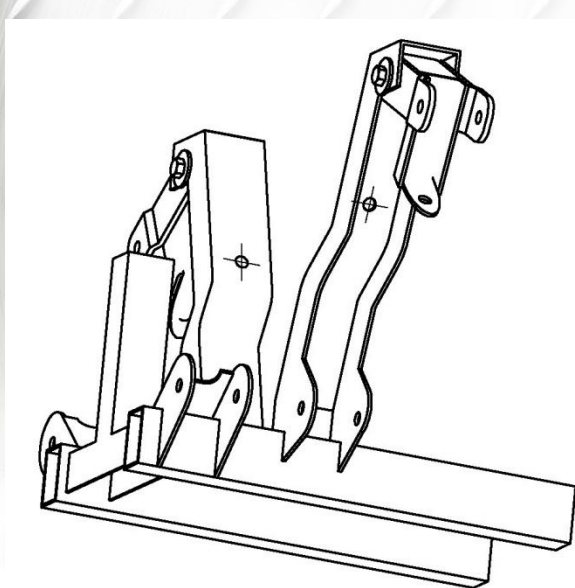


2. Install front shock mounting bracket #2 on the cart frame using supplied Hardware #9.

LIFT KIT INSTALLATION INSTRUCTIONS YAMAHA G29

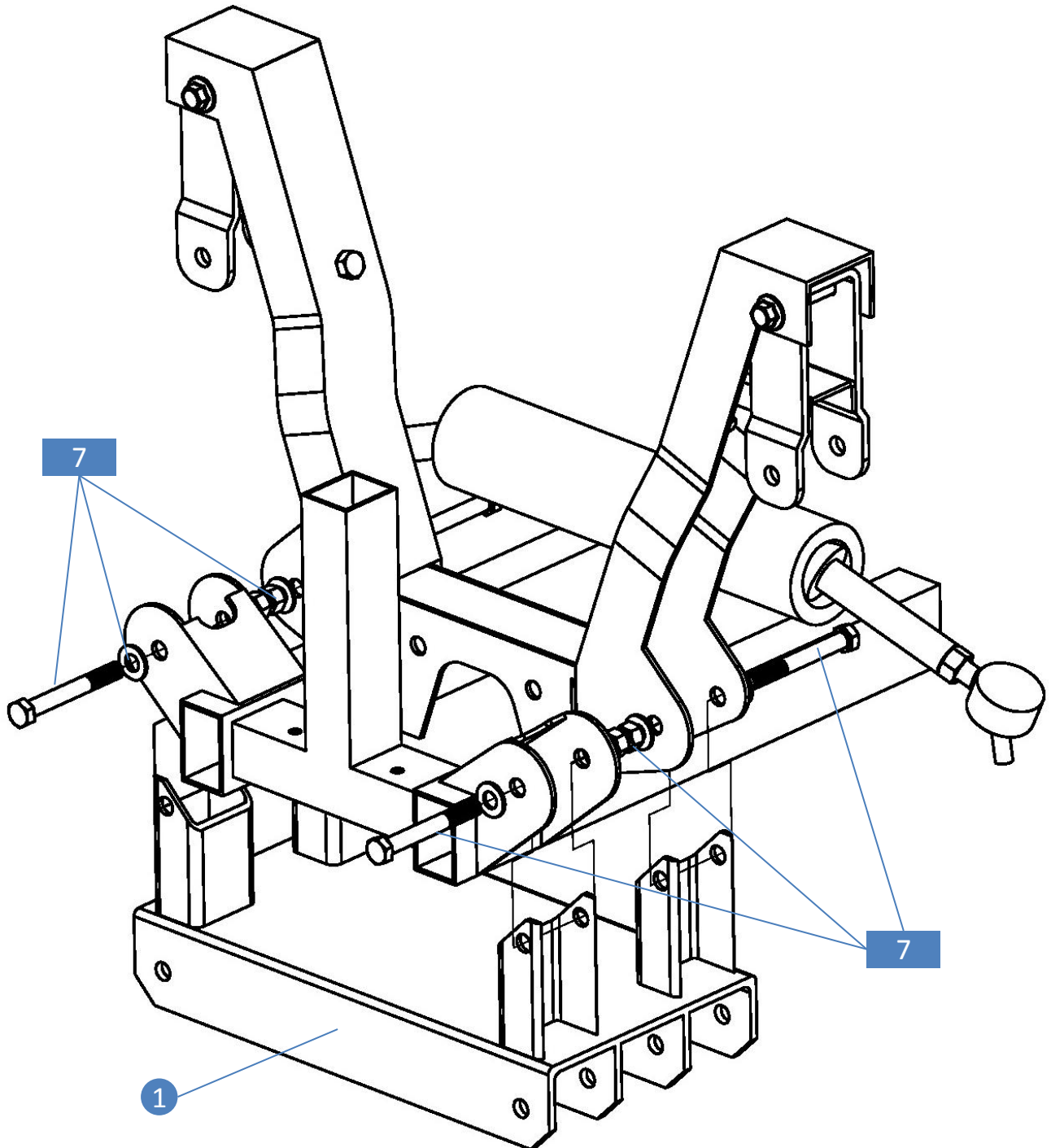


3. Rotate the front shock mounting bracket #2 so the lower proportion of it leans on the cart frame.



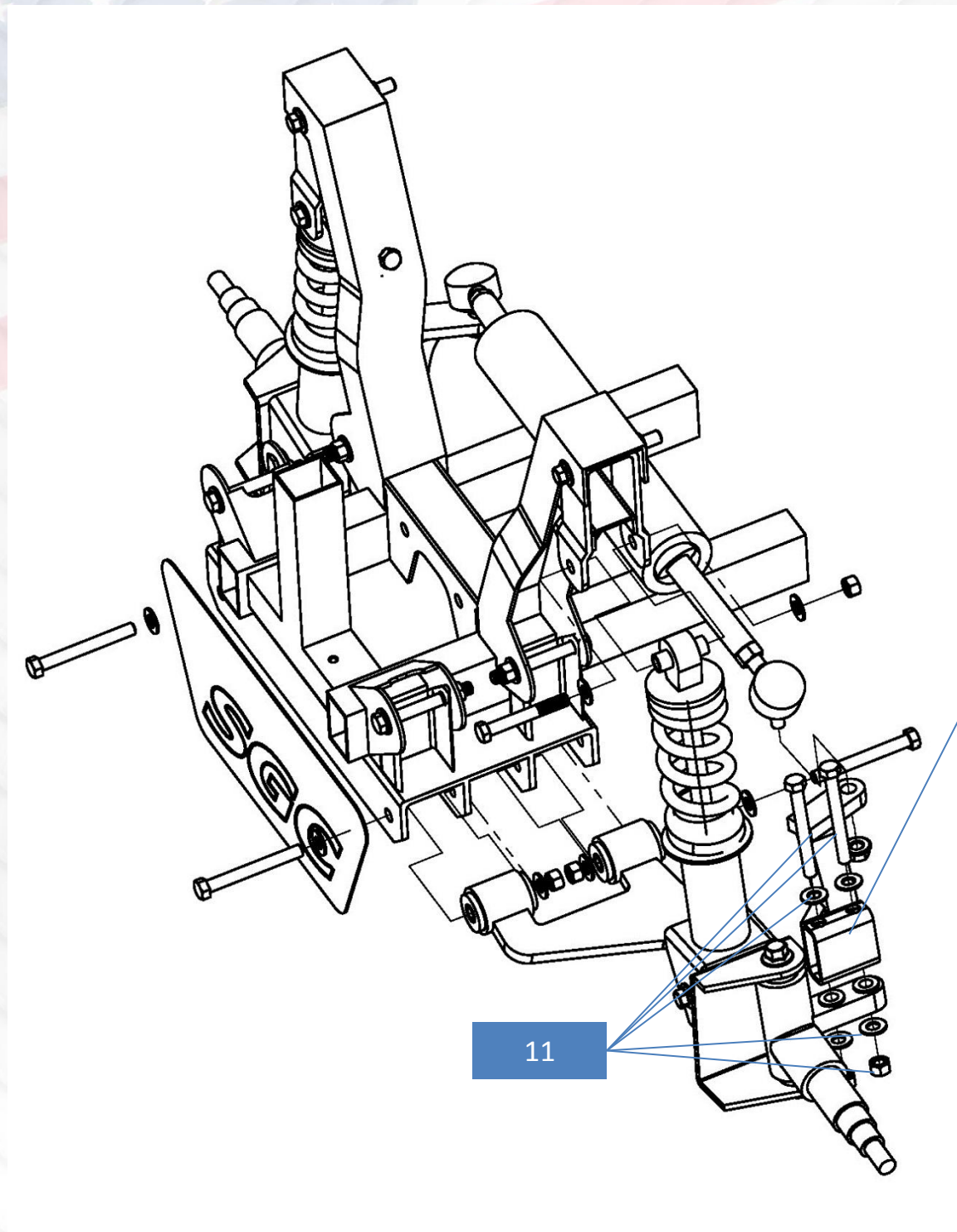
4. Use a marker pencil to locate the hole on the cart frame, drill it with provided drill bit #15. Then secure the front shock mounting bracket on the cart frame with hardware #8.

LIFT KIT INSTALLATION INSTRUCTIONS YAMAHA G29



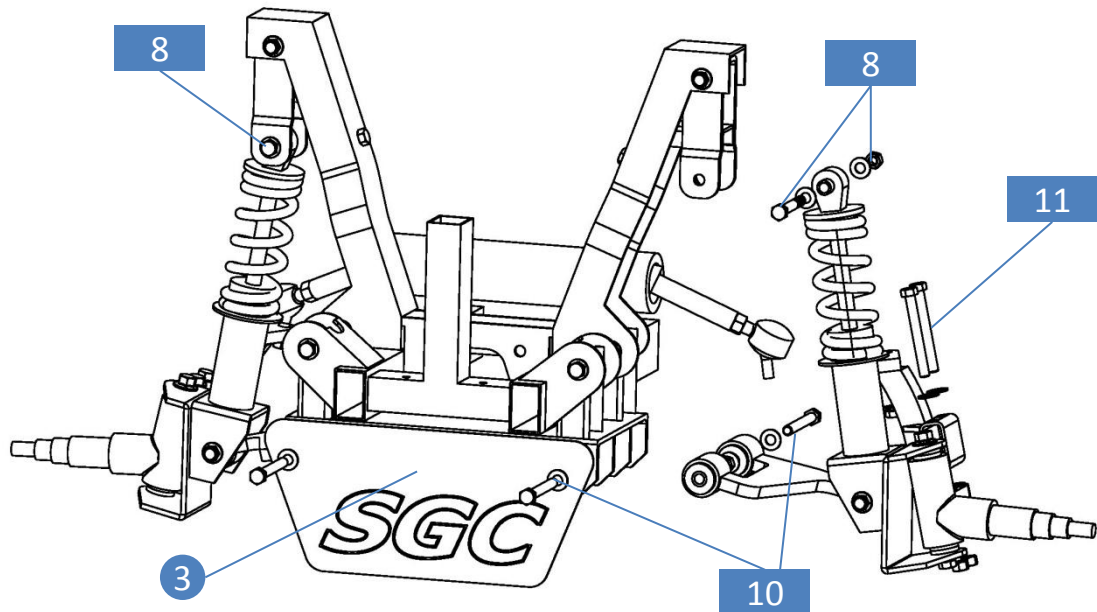
5. Install main bracket #1 on the cart using hardware #7.

**LIFT KIT INSTALLATION INSTRUCTIONS
YAMAHA G29**

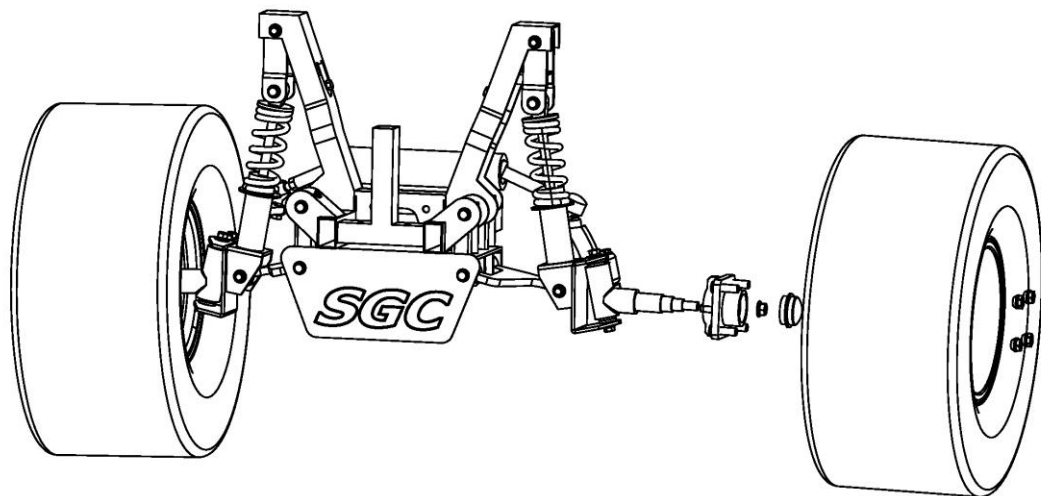


6. Install steering riser #4 on factory spindle using hardware #11.

LIFT KIT INSTALLATION INSTRUCTIONS YAMAHA G29

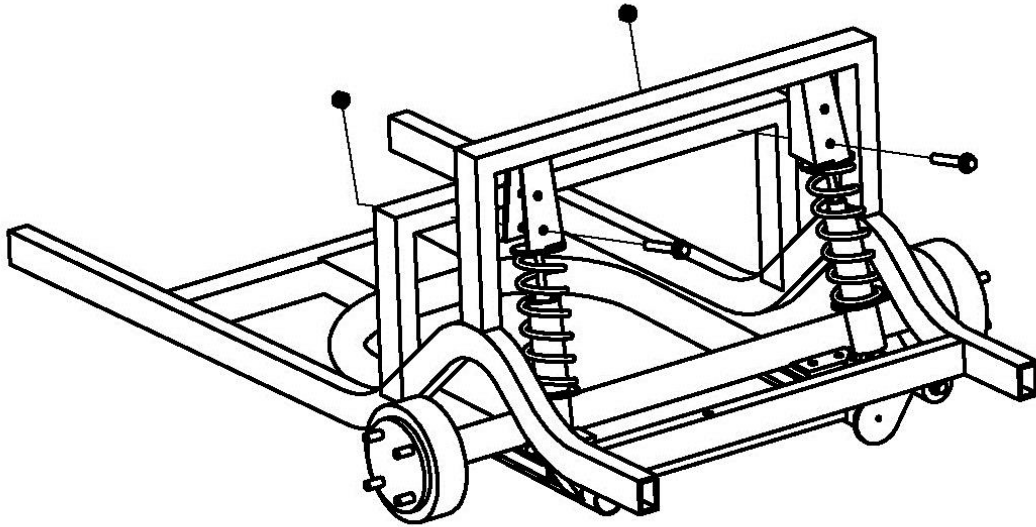


7. Attach SGC plate #3 to main bracket. Attach a-arm to main bracket with hardware #10. Attach shock to shock mounting bracket with hardware #8. Attach tie rod end to steering riser with retained hardware.

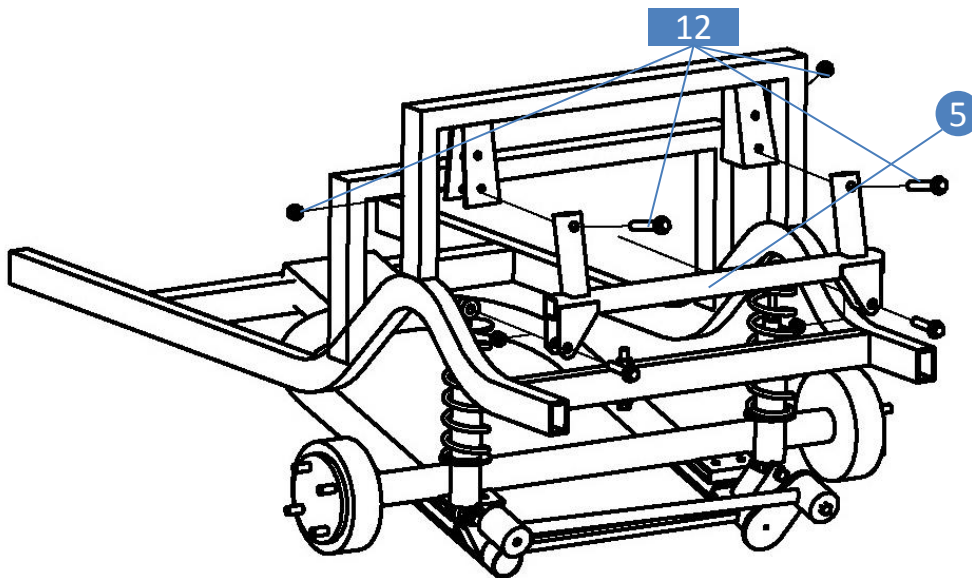


8. Reinstall hubs and install new large front wheels.

LIFT KIT INSTALLATION INSTRUCTIONS YAMAHA G29

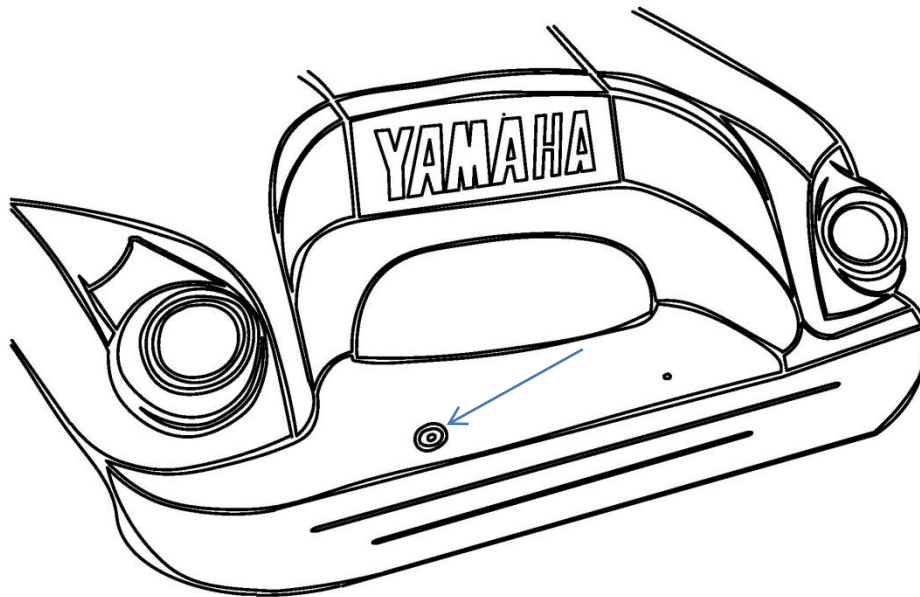


10. Remove motor cover and retain. Remove upper bolt from rear shocks on both sides. Retain hardware.

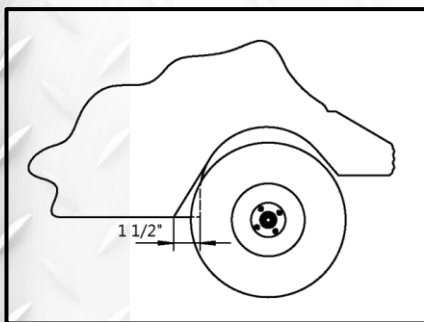


11. Attach rear mounting bracket #5 in the opening using hardware #12. Be sure the ends of the bracket are angled towards the front of the cart. Attach upper portion of rear shock to rear mounting bracket using hardware from step 10.

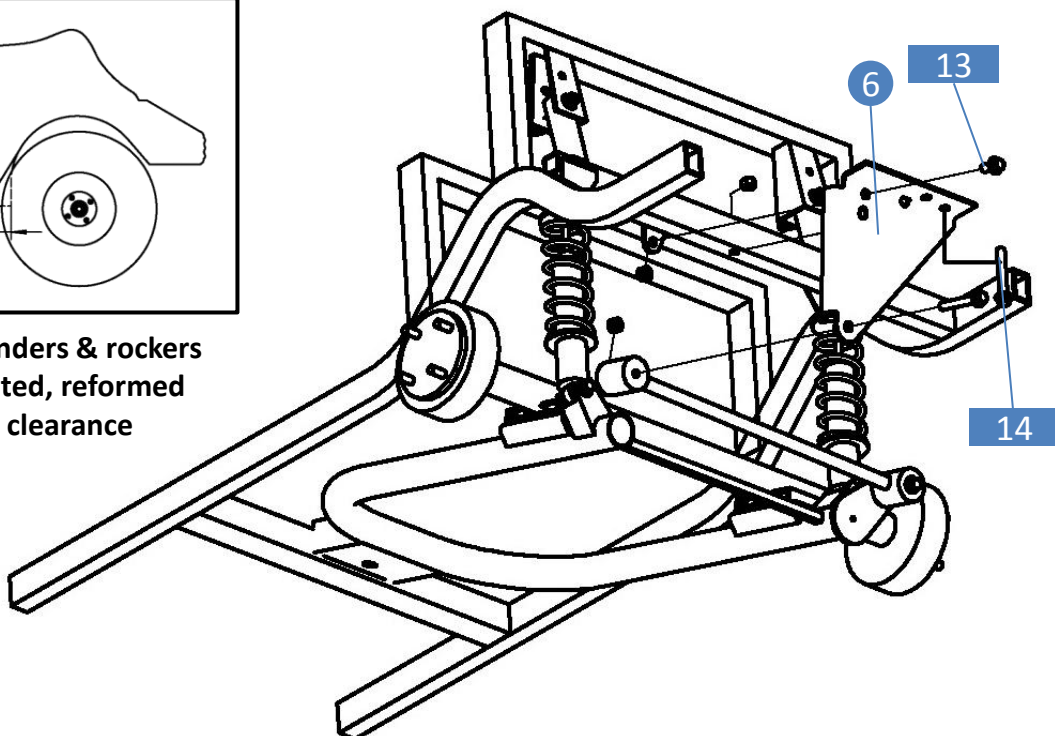
LIFT KIT INSTALLATION INSTRUCTIONS YAMAHA G29



12. Drill hole through the bagwell in the location shown. Depending on manufacturing year, a rivet or bolt should be removed first. Be sure to drill straight down through entire frame. Drill bit provided.



Rear Inner fenders & rockers
will need heated, reformed
or cut for tire clearance



13. Attach sway bar bracket #6 using hardware #13, M10-90 from hardware #14 through the drilled hole down to top. Attach sway bar to sway bar bracket using factory hardware. Install larger wheels on.

