

**SGC**



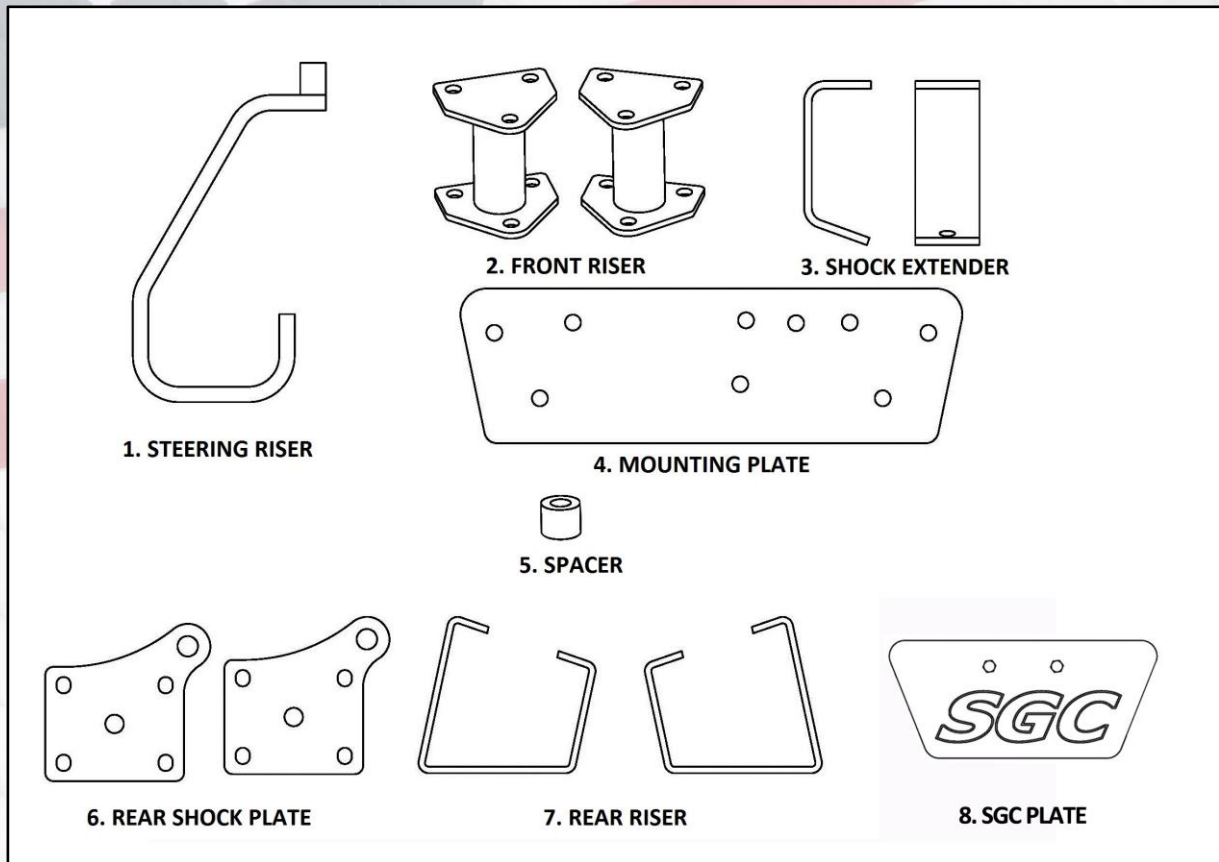
**SGC**

**5" BLOCK LIFT KIT**

**EZGO TXT 01.5-13, ELEC**

# INSTALLATION INSTRUCTIONS

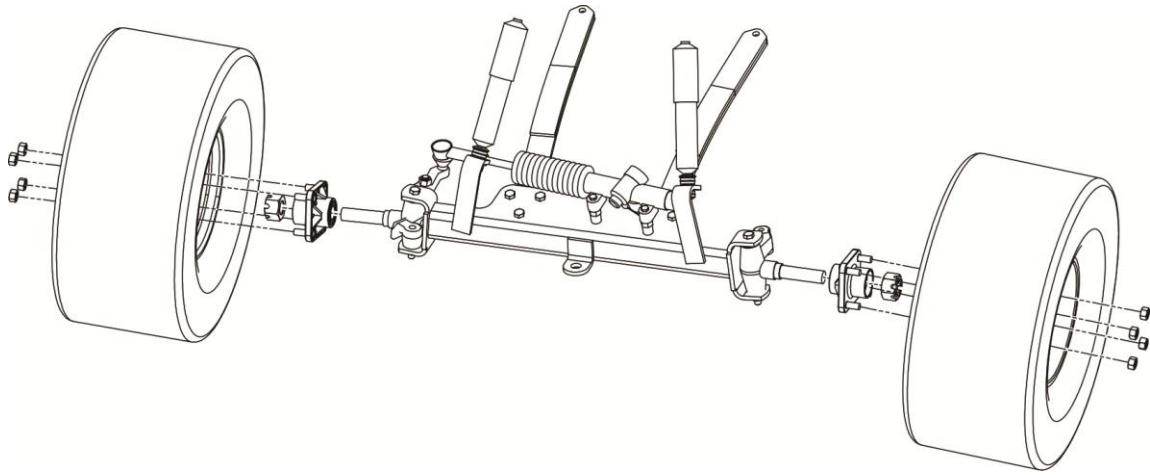
## EZGO TXT 01.5-13, ELEC



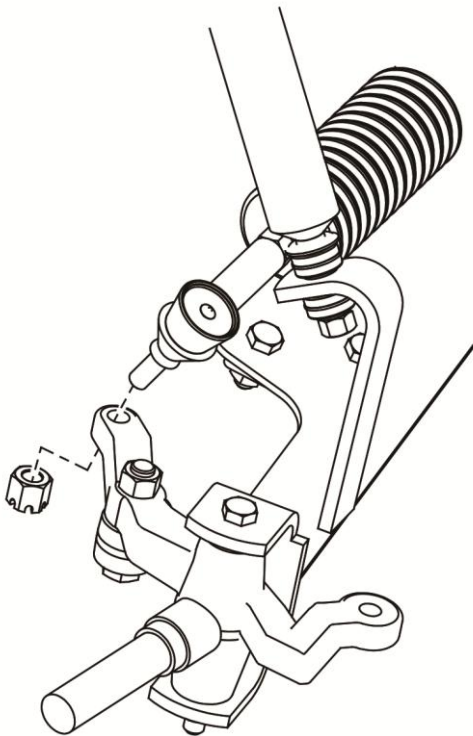
9	front shock extender	Hex Bolt	7/16*14-1 1/4	2
		Nylon Nut	7/16-14	2
		Flat washer	7/16	4
10	front axle	Hex Bolt	7/16*14-1 1/2	6
		Nylon Nut	7/16-14	6
		Flat washer	7/16	12
11	front steering riser	Hex Bolt	M12*50	2
		Nylon Nut	M12	2
12	rear riser	Hex Bolt	M10*30	8
		Nylon Nut	M10	8
13	SGC PLATE	Hex Bolt	M6*10	2

# LIFT KIT INSTALLATION INSTRUCTIONS

## EZGO TXT 01.5-13, ELEC



1. Engage parking brake and chock rear wheels. Raise Golf Cart with lift and use jack stands. Remove front tires, then remove cotter pin, castle nut, and hub. Retain hardware.

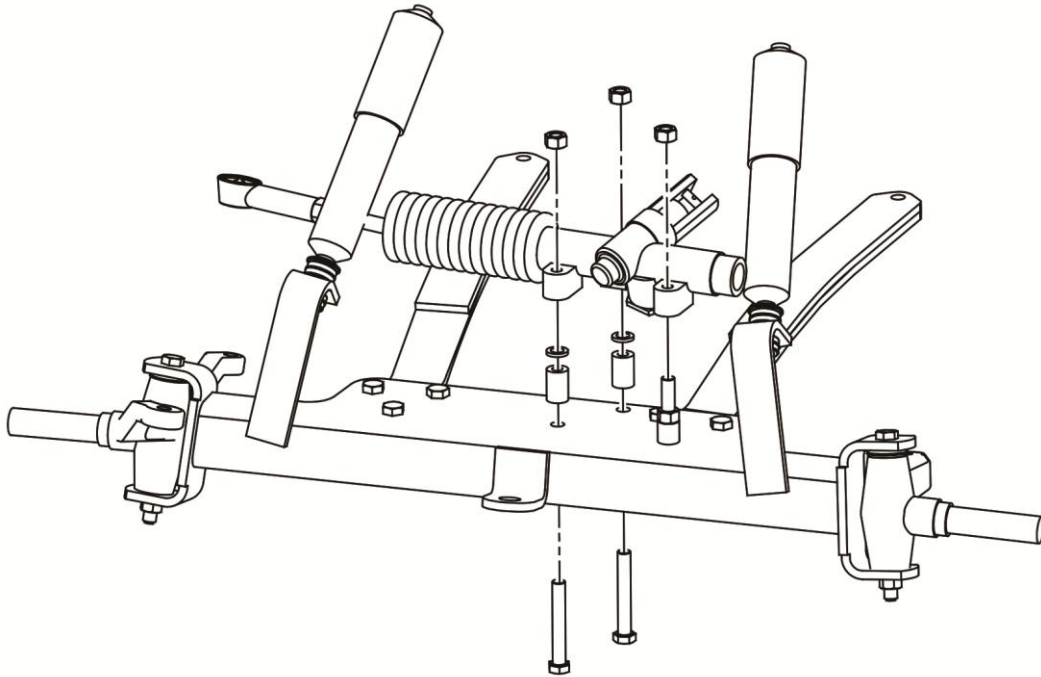


2. Remove cotter pin from castle nut. Remove castle nut from ball joint and separate ball joint from spindle. and retain.

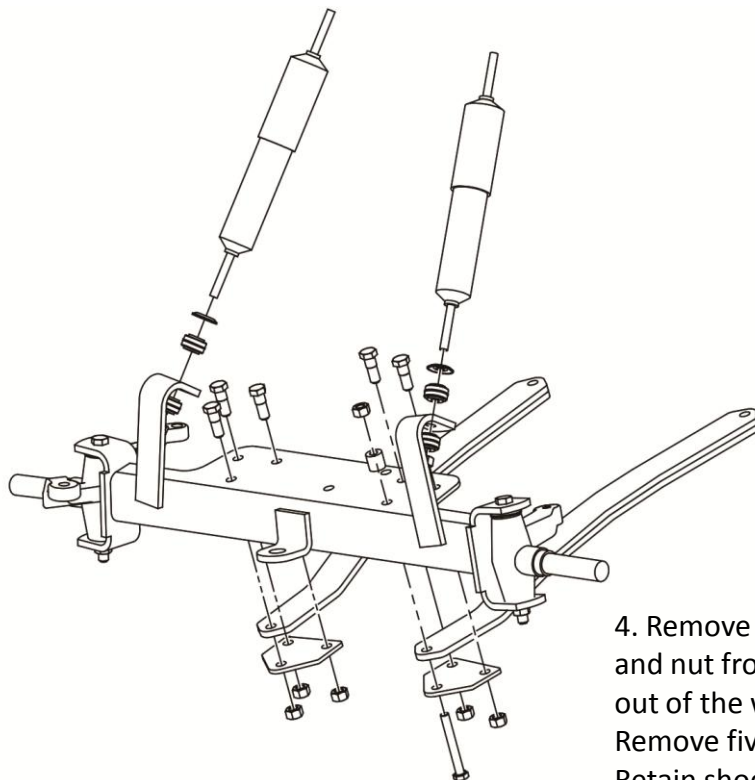


# LIFT KIT INSTALLATION INSTRUCTIONS

## EZGO TXT 01.5-13, ELEC



3. Remove three bolts from rack and pinion. Retain Hardware.



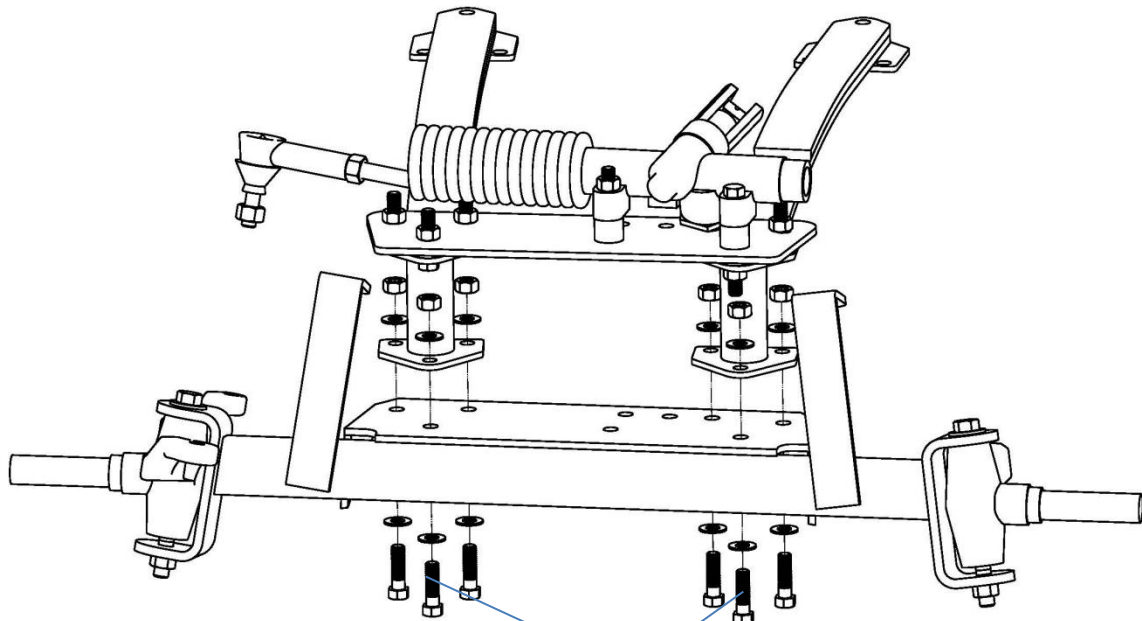
4. Remove the lower washer, bushing, and nut from shock. Push shock up and out of the way. Retain Hardware. Remove five bolts from factory axle. Retain shock plates and hardware.





## LIFT KIT INSTALLATION INSTRUCTIONS

### EZGO TXT 01.5-13, ELEC



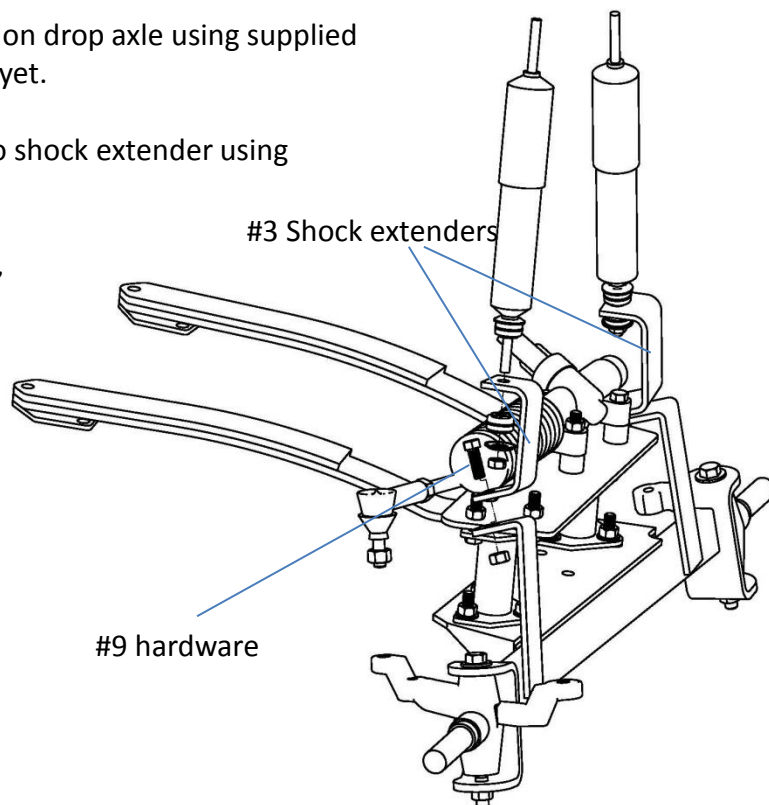
#10 hardware

7. Install front riser and rack pinion assembly on front axle using supplied hardware #10. You may need to turn the steering wheel a bit during installation to prevent bolts from hardware #10 touching tie rod. Tighten hardware from Step 5 and 6.

8. Install shock extender #3 on drop axle using supplied hardware #9. Don't tighten yet.

Install lower end of shock to shock extender using factory hardware.

Once both sides completed,  
Tighten them.



#3 Shock extenders

#9 hardware

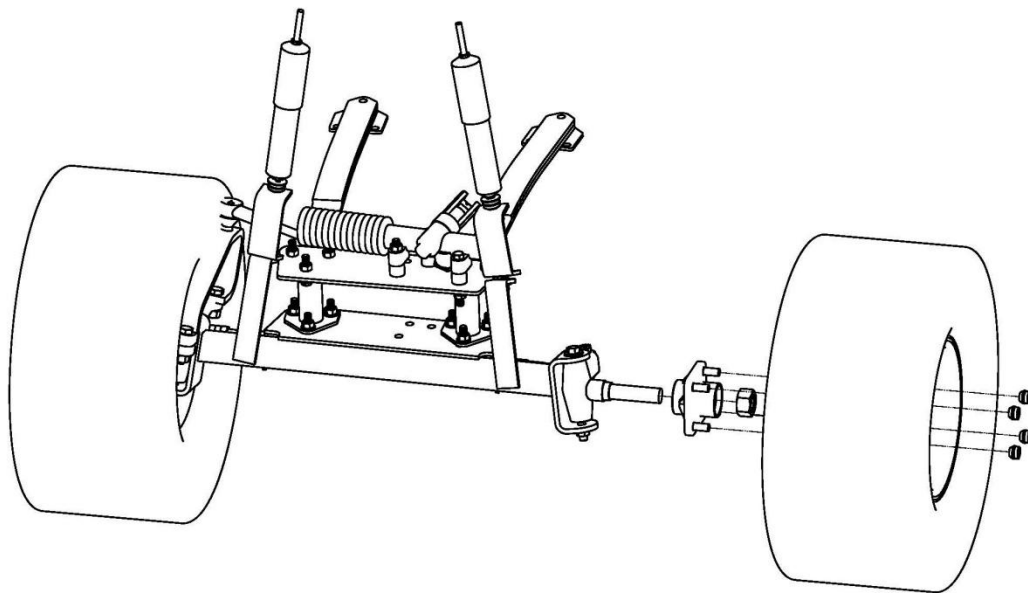
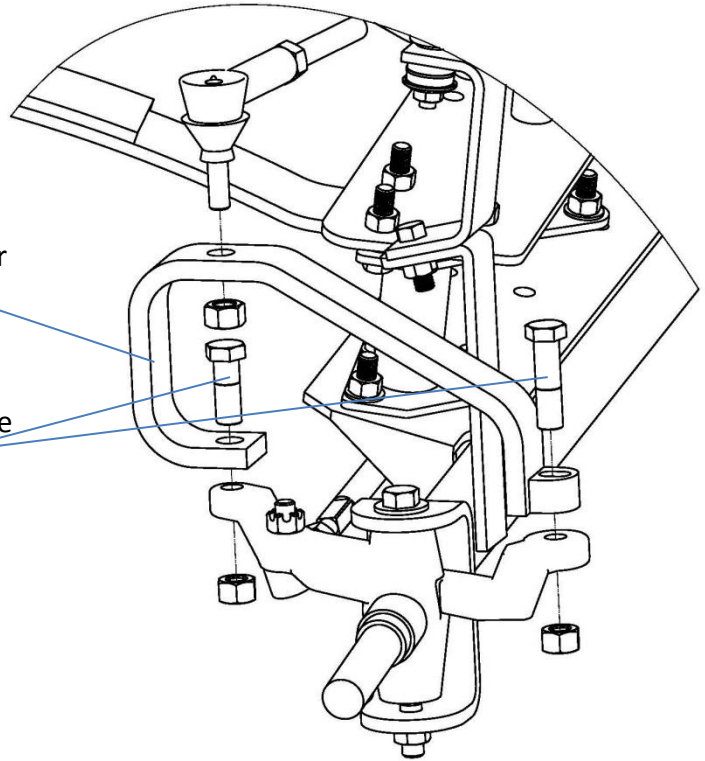
# LIFT KIT INSTALLATION INSTRUCTIONS

## EZGO TXT 01.5-13, ELEC

#1 Steering riser

#11 hardware

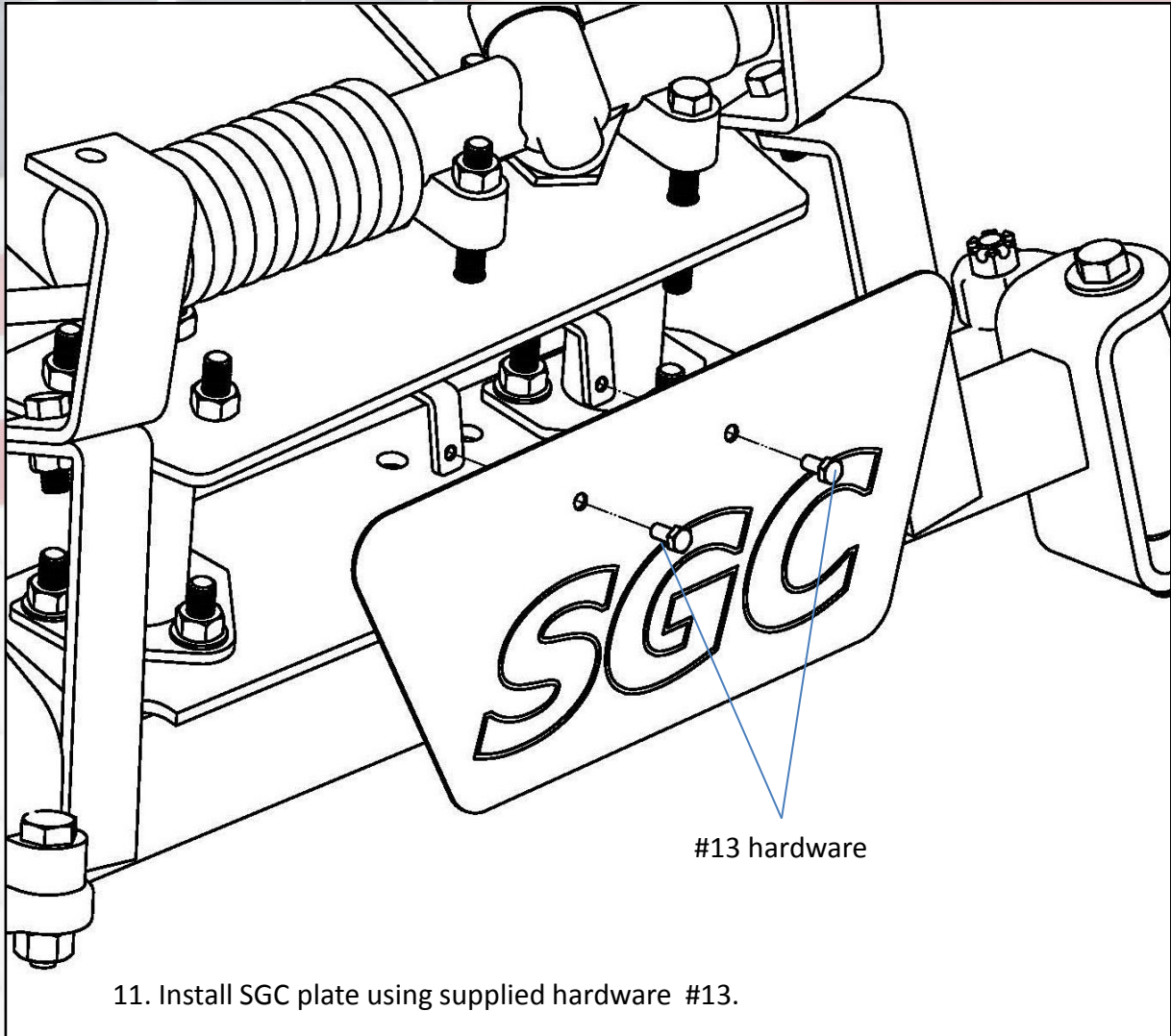
9. Install steering riser #1 on spindle using supplied hardware #11. Install rack ball joint on steering riser using retained hardware.



10. Reinstall hubs and front wheels.



**LIFT KIT INSTALLATION INSTRUCTIONS**  
**EZGO TXT 01.5-13, ELEC**

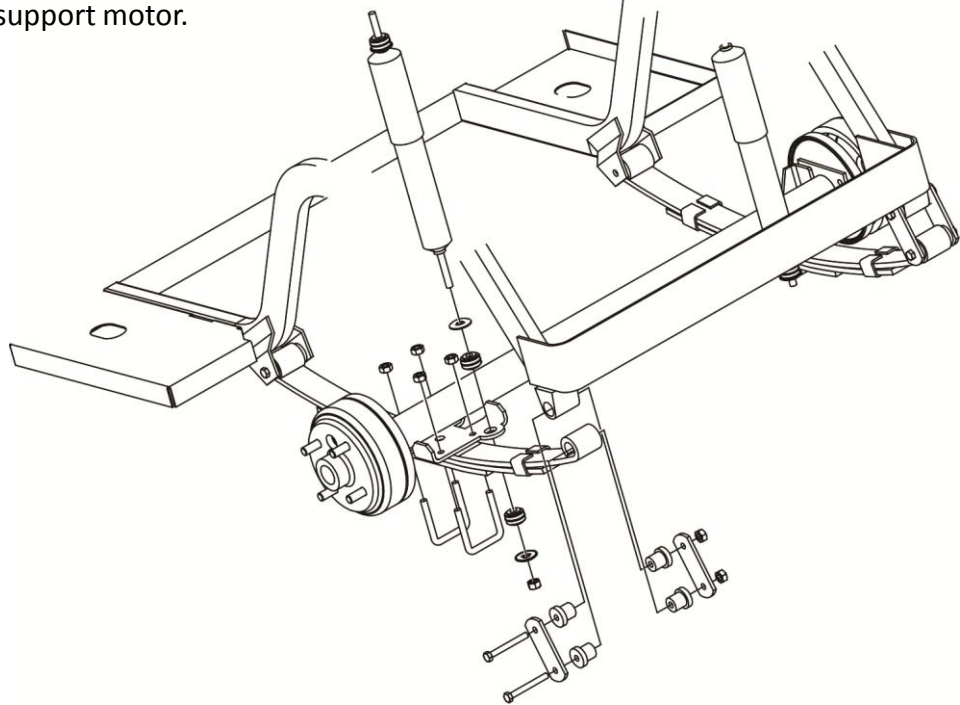




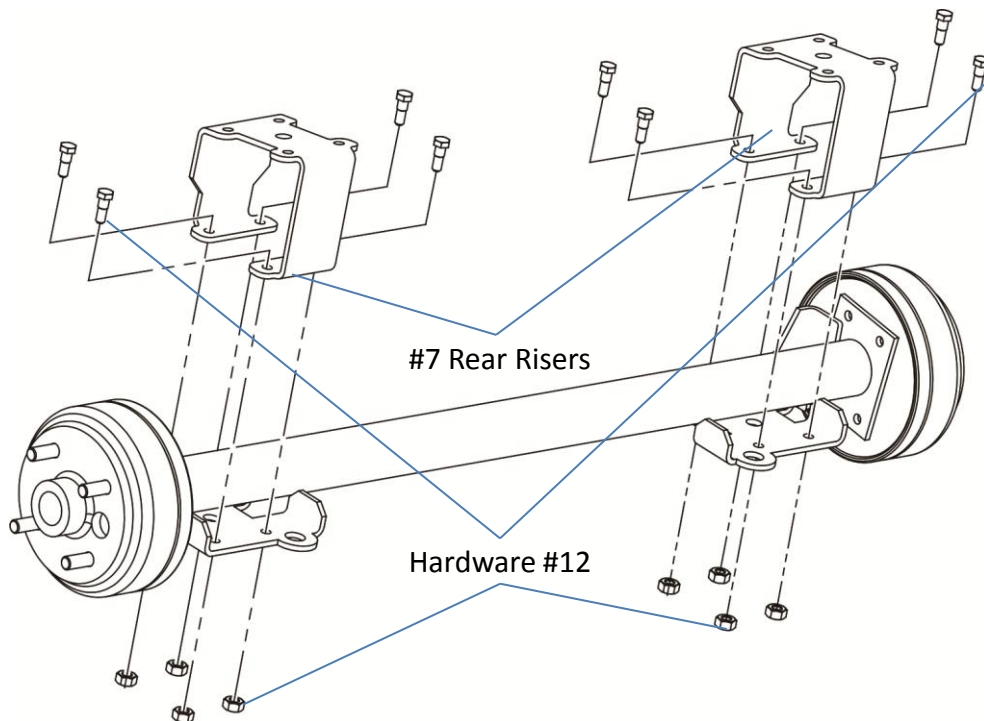
## LIFT KIT INSTALLATION INSTRUCTIONS

### EZGO TXT 01.5-13, ELEC

Ensure parking brake is still engaged and chock front wheels.  
Use jack to support motor.



12. Unbolt the rear leaf springs from under the rear end. Save the front and rear leaf spring bolts for reinstallation of the leaf springs. Using the car jack lower the rear end of the cart.



13. Install Rear Riser #7 on top of the axle using supplied hardware #12.

## LIFT KIT INSTALLATION INSTRUCTIONS

### EZGO TXT 01.5-13, ELEC

